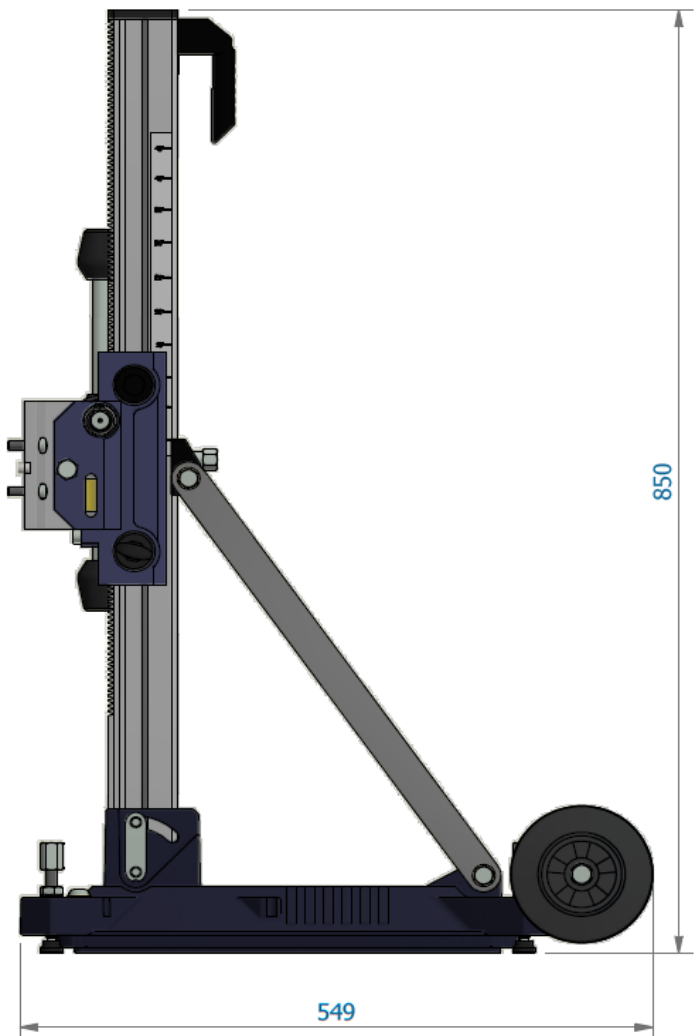
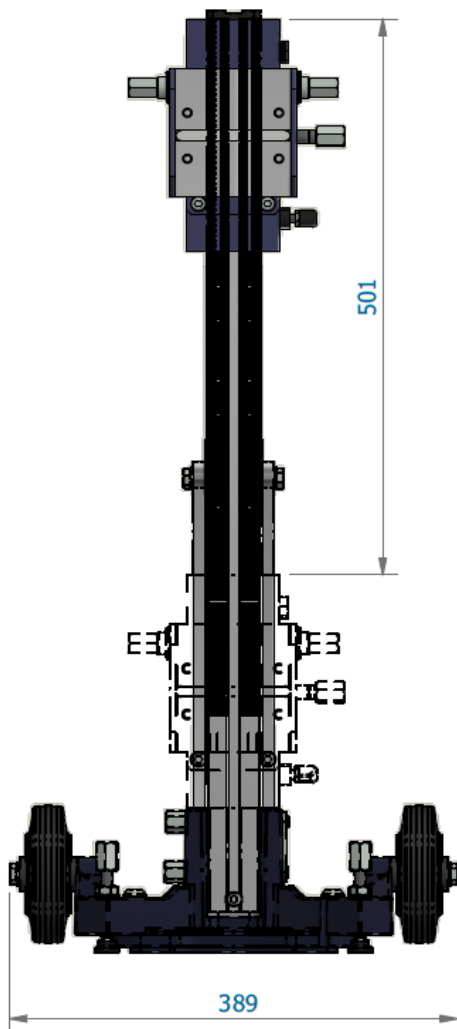
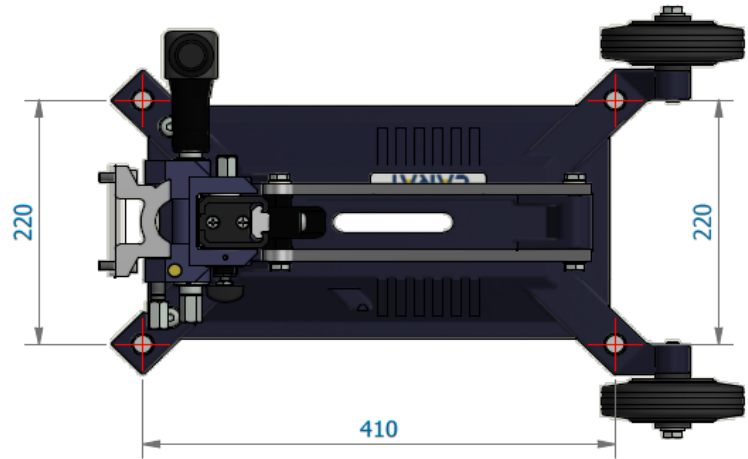
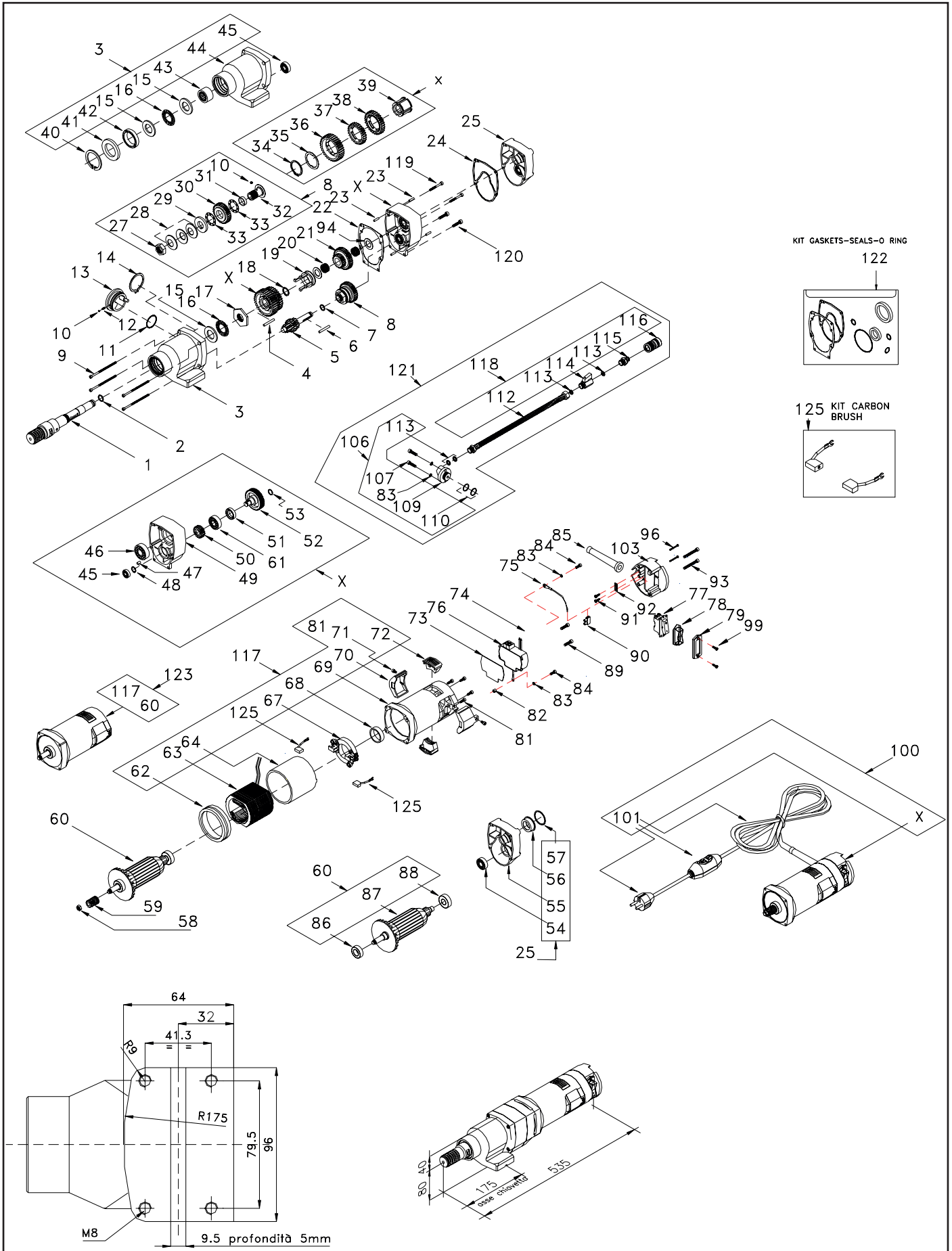


Nr.	Omschrijving	Artikelnummer	Nr.	Omschrijving	Artikelnummer
1	VOETPLAAT	XST-79800820			
3	SLUITRING	XST-FS100000			
4	ZESKANTMOER	XST-FM100000			
5	STELBOUT	XST-79800280			
6	KLEMPLAAT	XST-79800260			
7	KOLOMBOUT	XST-79800250			
11	KOLOM-AANSLAG	XST-79800270			
15	KOLOM S-1802/S-1803/S-2300	XST-79800310			
16	STICKER DIEPTEAANDUIDING	XST-79220900			
17	STICKER HOEKAANDUIDING	XST-79221000			
18	CILINDER KOPBOUT	XST-FBC05000			
19	SLUITRING	XST-FS10K100			
20	SCHUINZETSTANG	XST-79800390			
21	ZESKANTBOUT	XST-FB102500			
22	KLEMBLOKJE	XST-79800400			
23	SCHUIFBLOK	XST-79800870			
25	HANDGREEP	XST-7980086A			
26	LAGE BOLKOPBOUT	XST-FBE12400			
28	ZELFTAPPENDE SCHROEF	XST-FF363000			
29	DRUKSTUK	XST-F4261100			
30	GLIJHUIS	XST-79800840			
31	GLIJBLOK	XST-79230100			
32	STELSCHROEF	XST-79800230			
33	STELSCHROEF (SET)	XST-79800090			
34	*LAGERBUS	XST-ET019A00			
35	PASSCHIJF	XST-FS20P300			
36	SEEGERRING	XST-FR020000			
37	SPINDEL	XST-79800380			
39	INZETSCHROEFDRAAD M12	XST-FG121800			
40	KLEMSCHROEF	XST-79800540			
41	LIBELLE RECHTHOEK	XST-A5026000			
42	LIBELLE	XST-F1066000			
44	CILINDER KOPBOUT BZK	XST-FBC01200			
47	MOTORPLAAT KLEIN 3/8"	XST-7B05B100			
48	INBUS SCHROEF	XAM-FBE1220			
50	SPINDELDOOP COMPLEET S-1801/S-1802/S-2300	XST-7980201C			
52	SERIE PLAAT	XST-Y2043000			
53	WIELBUS	XST-79800710			
54	WIEL TBV S-3000	XST-F0031000			
55	ZESKANTBOUT	XST-FB108000			
56	SERIE PLAAT BESCHERMING	XST-Y2043A00			
57	LOGO PLAAT CARAT	XST-UAB006C			
58	EINDPLATENKOLOM (STEMPEL)	XAM-7980035S			
59	KLEMBOUT	XST-7982006			
60	HEX SCHROEF	XST-FI0610ST			





Pos	Description	QTY	Art.code
1	BIT HOLDER SHAFT	1	XCA5022770
2	O-RING-2050	1	XCA5000340
3	S.A. FRONT GEAR BOX A-2600	1	XCA5021680
4	PIN 5 X 23.8	1	XCA5001060
5	SHAFT	1	XCA5020360
6	PIN 4X24	1	XCA5022380
7	O-RING 108	1	XCA5003350
8	CLUTCH INSERT	1	XCA5022760
9	SCREW M5 X 100	4	XCA5022210
10	STEEL BALL 5/32"	2	XCA5001190
11	O-RING 2112	1	XCA5001000
12	SPRING	1	XCA5001200
13	GEAR SELECTOR KNOB	1	XCA5022510
14	RING	1	XCA5000990
15	WASHER 25.2X42X3	3	XCA5003170
16	NIDDLE BEARING AXK 24/52	2	XCA5003180
17	THREADED RING	1	XCA5022070
18	RING UNI 3653	1	XCA5022120
19	STEEL GEAR SELECTOR TALPA	1	XCA5020370
20	BEARING K 18X22X10	2	XCA5022050
21	Z 40-22 GEAR	1	XCA5028060
22	GASKET	1	XCA5024000
23	PIN 4X15,8	4	XCA5000460
24	GASKET	1	XCA5020310
25	S.A.BACK GEAR CASE	1	XCA5022180
27	NUT	1	XCA5022140
28	SPRING 20.4 X 40 X 2.25	3	XCA5022130
29	CLUTCH DISK	1	XCA5020420
30	CLUTCH WHELL Z34 M1.5 A-2600	1	XCA5021670
31	SPACER	1	XCA5022200
32	SPACER	1	XCA5021000
33	BRONZE CLUTCH DISK 24,3x38x1	2	XCA5022030
34	STEEL RETAIN RING 38-E	1	XCA5014500
35	SPARE PART - WASHER 38x48x1mm TO REPAIR CARDI COREDRILL MOTORS	1	XCA5013080
36	GEAR	1	XCA5020410
37	GEAR Z 27 m2	1	XCA5020400
38	GEAR	1	XCA5020390
39	SPACER	1	XCA5020380
40	RING UNI 3654	1	XCA5022110
41	SEAL RING 35x52x7 STAI-LESS STEEL SPRING	1	XCA5022090

Pos	Description	QTY	Art.code
42	SEAL RING 35x45x6 STAI-LESS STEEL SPRING	1	XCA5022100
43	STEEL NIDDLE BEARING NK 25/20	1	XCA5003190
44	FRONT GEAR CASE T1-T2 STATIONARY	1	XCA5020340
45	BEARING 6001 2RS1 (12-28-8)	2	XCA5003220
46	BEARING	1	XCA5002330
47	PIN 4X8	1	XCA5020910
48	RING	1	XCA5006370
49	FLANGE	1	XCA5021350
50	Z16 GEAR	1	XCA5025960
51	SEAL RING 20x35x7	1	XCA5022750
52	SHAFT	1	XCA5022190
53	O-RING-2025	1	XCA5000350
54	STEEL BEARING 10X26X8	1	XCA5000300
55	BACK BOX	1	XCA5020210
56	S.A.FELTER AND STEEL SEAL	1	XCA5018210
57	O-RING 2137	1	XCA5002450
58	NUT M8x1 UNI 5589	1	XCA5020730
59	MOTOR PINION	1	XCA5022170
60	ARMATURE S/A 230V 2570W A-2600	1	XCA5028150
61	BEARING	1	XCA5002330
62	FUN BAFFLE	1	XCA5027960
63	FIELD 230V A-2600	1	XCA5021830
64	GASKET	1	XCA5021220
67	BRUSH HOLDER ASSEMBLY	1	XCA5039660
68	RUBBER COVER	1	XCA5018690
69	MOTOR HOUSING A-2600	1	XCA5028090
70	CARBON BRUSHES PLASTIC COVER	2	XCA5021240
71	SCREW M4X10	2	XCA5031660
72	AIR INLET	2	XCA5021250
73	INSULATION FILM TLP 0-0L-1 MAN	1	XCA5032370
74	BOX FOR ELECTRONIC	1	XCA5033250
75	CABLE TLP MAN EL	1	XCA5032480
76	ELECTRONIC CLUTCH 230V A-2600 220 + FILTER	1	XCA5033590
77	ON/OFF SWITCH 25A (115-230V)	1	XCA5001620
78	FLEX.SWITCH PROTECTOR	1	XCA5000700
79	SWITCH COVER PLATE	1	XCA5011520
81	SCREW 4.2X16 TC TCr UNI 6954 Z n	4	XCA5020180

Pos	Description	QTY	Art.code
82	NUT 5.2X10X4	1	XCA5032510
83	WASHER D.5 UNI8842	4	XCA5032450
84	SCREW M5 X 12 UNI 7687	2	XCA5017290
85	CORD PROTECTOR	1	XCA5011570
86	STEEL BEARING 15X35X11	1	XCA5002100
87	* ROTOR 230V (NEW FAN) A-2600	1	XCA5028130
88	BALL BEARING 6201-2RSL (12-32-10)	1	XCA5017500
89	SCREW M 5 X 35	2	XCA5001900
90	TERMINAL FOR TLP MAN EL	1	XCA5032490
91	SCREW 4,3 X 16	2	XCA5011550
92	STEEL CORD CLAMP	1	XCA5011560
93	SCREW M5 X 65	2	XCA5022880
94	STEAL WASHER	2	XCA5021630
95	ALLEN SCREW M6 X 12 UNI 5931	1	XCA5007640
96	SCREW 4.2X38	2	XCA5012130
97	MOTOR 230V 2570W EL PRCD 6h FOR A-2600	1	XCA5033770
98	PRCD 10mA 220V 16A + CABLES AND 6H	1	XCA5033910
99	SCREW 3 X 16	2	XCA5033340
100	* MOTORE 230V 2570W EL PRCD SCHUKO/F x A-2600	1	XCA5033780
101	PRCD 10mA 220V 16A - ORIG. EXTRA U.E.-	1	XCA5033920
102	MOTOR 230V 2570W EL 1h	1	XCA5033760
103	COVER	1	XCA5033260
104	PLUG 16A-2P+T-1H	1	XCA5000720
105	S.A. SUPPLY CORD 3x1,5mmq L=4m	1	XCA5000730
106	KIT INLET WATER WITH ALUMINIUM COVER	1	XCA5045710
107	ALLEN SCREW M5X16	2	XCA5000450
108	SPLIT WASHER 5,3	1	XCA5000480
109	INLET WATER COVER	1	XCA5045670
110	O-RING 2062	2	XCA5000980
112	WATER HOSE 3/8M-3/8F - 400 mm	1	XCA5038050
113	GASKET	4	XCA5005090
114	VALVE	1	XCA5005100
115	WATER QUICK CLAMPING CONNECTOR	1	XCA5005110
116	QUICK HOSE CONNECTOR	1	XCA5001010

Pos	Description	QTY	Art.code
117	MOTOR HOUSING 230VA-2600	1	XCA5028070
118	WATER KIT PIPE	1	XCA5005070
119	SCREW M4X45	2	XCA5024020
120	SCREW 5X25 UNI 5931	2	XCA5007960
121	KIT INLET WATER WITH ALUMINIUM COVER	1	XCA5045680
122	SERVICE KIT A-2600	1	XCA5027040
123	MOTOR PACK 230V A-2600	1	XCA5027000
125	BRUSHES COUPLE 230V	1	XCA5039400