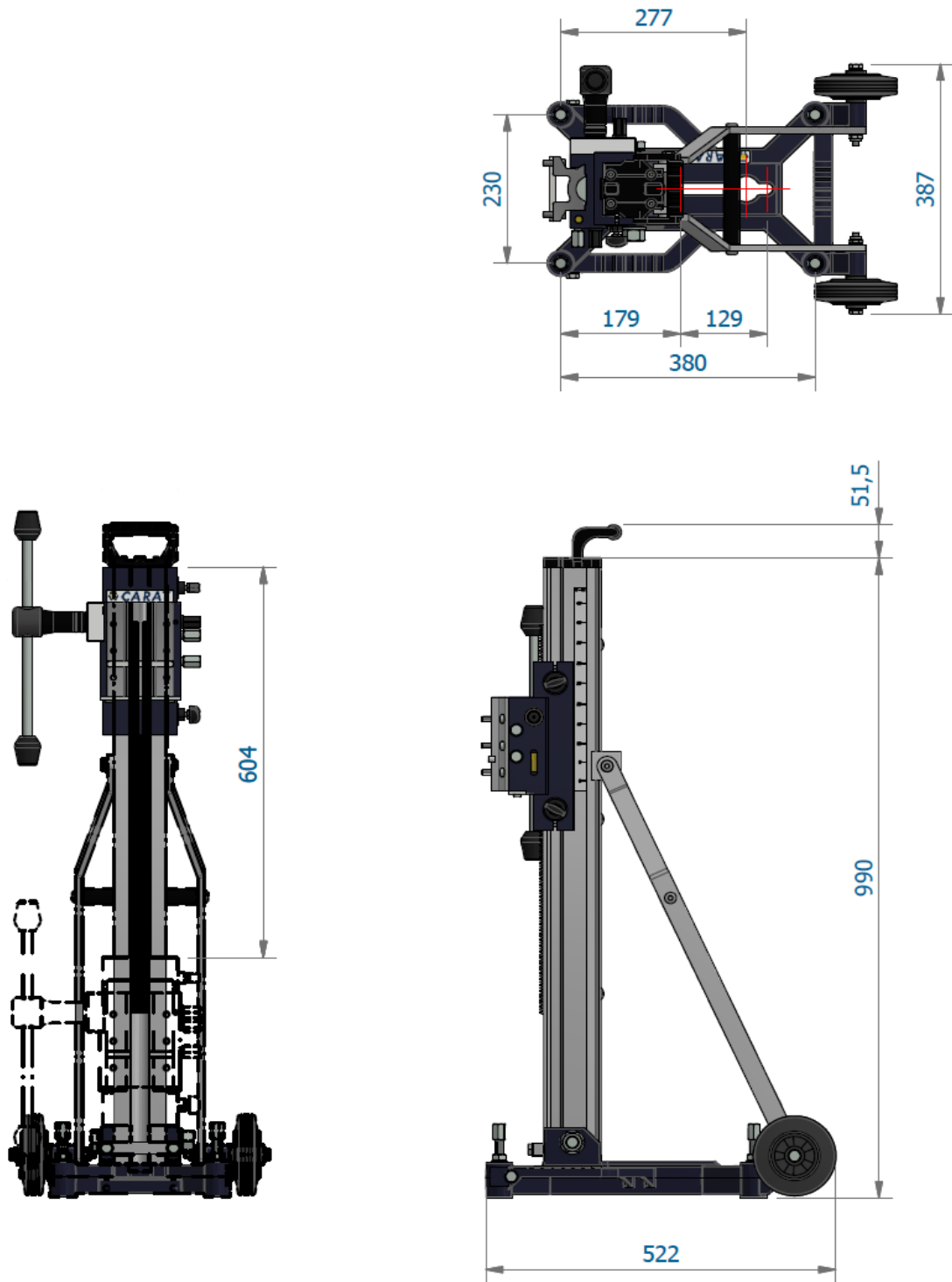
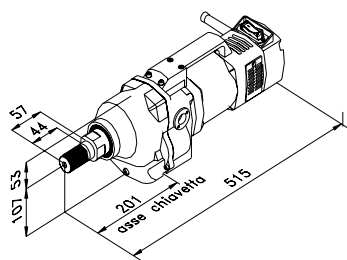
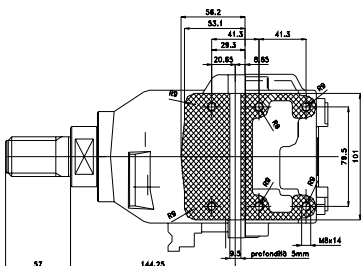
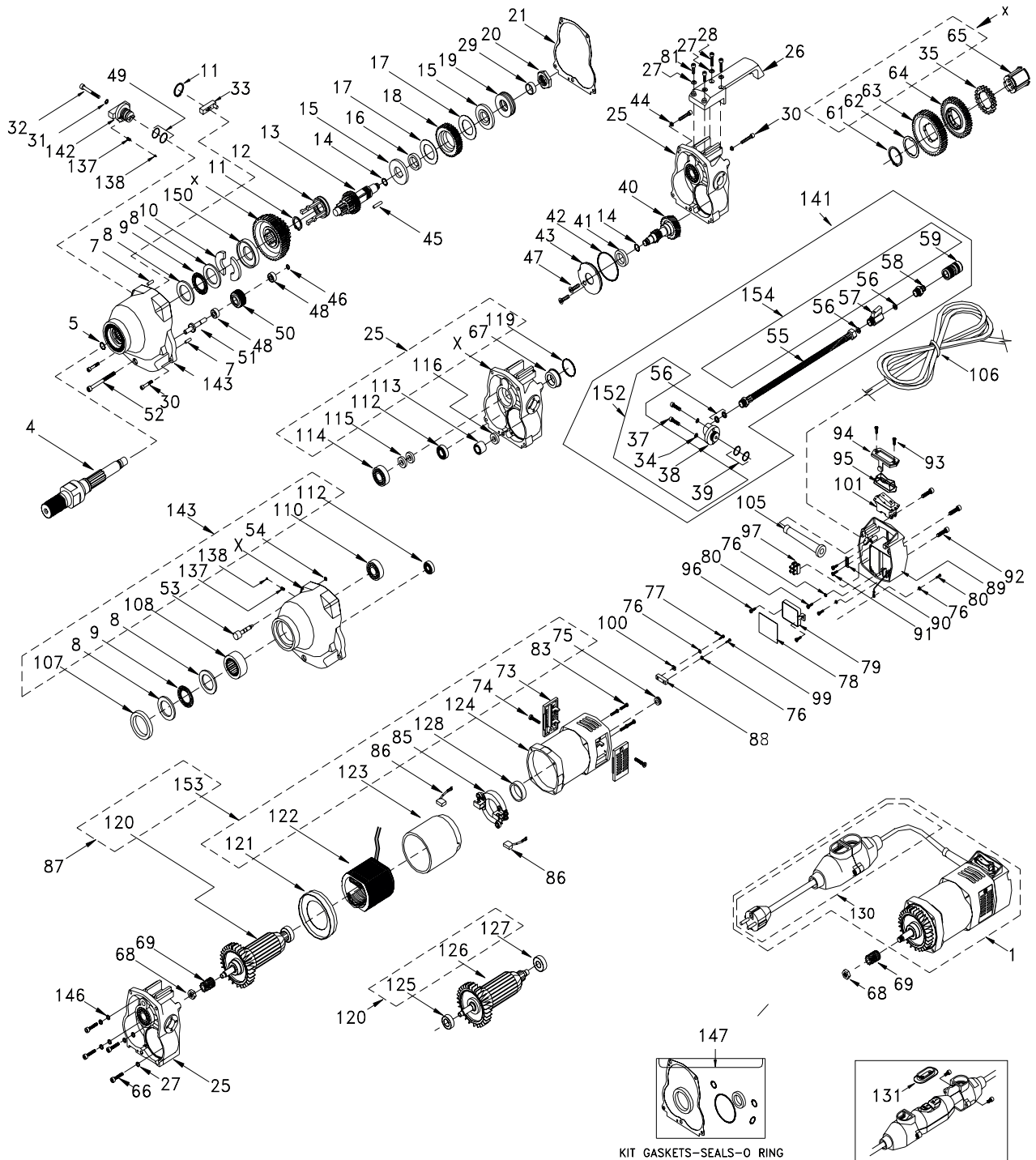


Nr.	Omschrijving	Artikelnummer	Nr.	Omschrijving	Artikelnummer
1	VOETPLAAT S-3000	XST-79800880	55	KLEINE SPINDEL	XS04-55000
2	INZETSCHROEFDRAAD M12	XST-FG121800	56	O-RING	XST-E4017B00
3	SLUITRING	XST-FS120000	57	HUIS	XST-79331000
4	*ZESKANTMOER	XST-FM120000	58	KOGELLAGER	XST-EA040A00
5	STELBOUT	XST-79800700	59	CYLINDERSCHROEF	XST-FBC73000
6	DRUKSTUK	XST-F4261100	63	MONTAGEPLAAT	XST-7B05C5CA
7	ZESKANTBOUT	XST-FB103000	64	VERTANDE SLUITRING	XST-FV20T000
8	RING	XST-FS200000	65	CYLINDERSCHROEF	XST-FBC84000
9	ZESKANTBOUT	XST-FC514000	67	HENDEL (COMPLEET)	XST-7980201C
10	ZESKANTMOER	XST-FM200000	68	SERIEPLAAT	XST-Y2043000
13	COLOMBLOK	XST-79310100	69	SERIEPLAAT BESCHERMING	XST-Y2043A00
14	SLUITRING	XST-FS100000	70	INBUS SCHROEF	XAM-FBE1220
15	WIELBUS	XST-79800710	71	ZESKANTBOUT	XST-FB101600
16	WIEL TBV S-3000	XST-F0031000	72	LOGO PLAAT CARAT S-3000	XST-UAB006CAR
17	ZESKANTBOUT	XST-FB112000			
18	LAAGBOLKOPBOUT BZK.	XST-FBE12250			
19	BAR	XST-79800730			
20	HANDVAT	XST-79800740			
21	KLEMBUS	XST-79800750			
22	KOLOMSTEUN	XST-79320300			
23	KOLOM	XST-79800930			
24	TANDHEUGEL	XST-79320100			
25	VEERRING	XST-FV080000			
26	CILINDERKOPBOUT	XST-FBC02000			
27	AFDEKDOP	XST-F4121600			
28	STICKER DIEPTEAANDUIDING	XST-79220900			
29	HOEKAANDUIDING	XST-79329900			
30	HANDVAT COMPLEET TBV S-3000	XST-79334800			
31	LAGE CILINDERKOPBOUT BZK	XST-FBB82000			
32	SLUITRING	XST-FV10T000			
33	SLUITMOER	XST-FM10B000			
35	ZESKANTBOUT	XST-FB102500			
36	ONDERSTEL	XST-793036CA			
37	GLIJBLOK	XST-79230100			
38	STELSCHROEF (SET)	XST-79800090			
40	LIBELLE	XST-F1066000			
41	LIBELLE RECHTHOEK	XST-A5026000			
42	AANSLAG STRIP	XST-79331100			
43	CYLINDERSCHROEF	XST-FBB61600			
45	KLEMSCHROEF	XST-79800540			
46	STELSCHROEF	XST-Fi060800			
47	GLIJLAGER SPINDEL	XST-79330600			
48	GLIJLAGER SPINDEL	XST-79330700			
49	SPINDEL	XST-79800920			
50	PASSCHIJF	XST-FS20P300			
51	SPIE	XST-F6R31200			
52	TANDWIEL SPINDEL	XST-79330500			
53	O-RING	XST-E4020A00			
54	LAGER	XAM-EA033A			





Pos	Description	QTY	Art.code
1	MOTOR 230V 3420W FOR A-3400 / A-3500	1	XCA5045050
4	MAIN SPINDLE A-3400	1	XCA5044960
5	O-RING-2050	1	XCA5000340
7	PIN 4X15,8	2	XCA5000460
8	PIN 35.1X52X3.5	4	XCA5035170
9	BEARING AXK 35/52	2	XCA5035160
10	T6 SPINDLE BLOCK RING (2 HALVES)	1	XCA5044970
11	ELASTIC RING	2	XCA5014510
12	SHIFT FORK A-3400	1	XCA5034610
13	CLUTCH SHAFT A-3400	1	XCA5036850
14	O-RING 108	2	XCA5003350
15	STEEL WASHER A-3400 BT/TR 602	2	XCA5036760
16	BRASS RING A-3400	1	XCA5036770
17	BRONZE CLUTCH DISK 34x54x1	2	XCA5005670
18	GEAR Z37 m1.75 A-3400	1	XCA5019890
19	SPRING	3	XCA5001370
20	NUT	1	XCA5022140
21	CENTRAL GASKET A-3400 ENGINE2	1	XCA5025870
25	BACK GEAR BOX A-3400	1	XCA5026190
26	HANDLE FOR A-3400	1	XCA5019460
27	WASHER SCHNORR 5	8	XCA5020880
28	SCREW 5X25 UNI 5931	2	XCA5007960
29	RING	1	XCA5037170
30	ALLEN SCREW M6 X 30 UNI 5931	4	XCA5011790
31	WASHER	1	XCA5020870
32	ALLEN SCREW M6 X 40	1	XCA5008930
33	SHIFT LEVER S.A. A-3400	1	XCA5035180
34	WASHER D.5 UNI8842	2	XCA5032450
35	GEAR Z31 m2 A-3400	1	XCA5034940
37	ALLEN SCREW M5X16	2	XCA5000450
38	INLET WATER COVER	1	XCA5045670
39	O-RING 2062	2	XCA5000980
40	SHAFT A-3400	1	XCA5026260
41	SEAL RING 24x35x7	1	XCA5000960
42	O-RING 2250	1	XCA5020520
43	GRASE COVER A-3400	1	XCA5025970
44	SPLIT WASHER 6,4	2	XCA5000470
45	PIN 5x20 UNI6364	1	XCA5020450
46	SEEGER 8-E UNI 7435	1	XCA5007970
47	SCREW M5X14 TS UNI 5933 BRUN.	2	XCA5030360
48	BEARING 619/8-2RS1	2	XCA5043550

Pos	Description	QTY	Art.code
49	O-RING 2075	2	XCA5018750
50	GEAR Z16	1	XCA5043540
51	PIN A-3400	1	XCA5019900
52	ALLEN SCREW M 8 X 70	1	XCA5007740
53	PIN	1	XCA5037540
54	O-RING-2025	1	XCA5000350
55	WATER HOSE 3/8M-3/8F - 400 mm	1	XCA5038050
56	GASKET	4	XCA5005090
57	VALVE	1	XCA5005100
58	WATER QUICK CLAMPING CONNECTOR	1	XCA5005110
59	QUICK HOSE CONNECTOR	1	XCA5001010
61	STEEL RETAIN RING 38-E	1	XCA5014500
62	SPARE PART - WASHER 38x48x1mm	1	XCA5013080
63	GEAR z47 m2 FOR A-3400	1	XCA5041490
64	GEAR Z39 m2 FOR A-3400	1	XCA5034930
65	SLEEVE A-3400	1	XCA5034620
66	ALLEN SCREW M5X40	4	XCA5000810
67	S.A.FELTER AND STEEL SEAL	1	XCA5018210
68	NUT M8x1 UNI 5589	1	XCA5020730
69	PIGNON Z11	1	XCA5026250
73	COVER	2	XCA5014270
74	ALLEN SCREW M5 X 8	2	XCA5010900
75	CORD PROTECTOR	1	XCA5018630
76	WASHER	5	XCA5002920
77	SCREW M 4X8	1	XCA5013320
78	INSULATOR FOR ELECTRONIC A-3400 / A-3500	1	XCA5033480
79	ELECTRONIC 230VA-3400 / A-3500	1	XCA5033430
80	SCREW M4 X 8	3	XCA5022800
81	ALLEN SCREW M5X16	2	XCA5000450
83	SCREW 4.2X16 TC TCr UNI 6954 Z n	4	XCA5020180
85	BRUSH HOLDER ASSEMBLY	1	XCA5039660
86	BRUSHES COUPLE 230V	1	XCA5039400
87	S.A. MOTOR PACK 230V 3420W	1	XCA5045090
88	GROUND CONNECTOR	1	XCA5018590
89	ELECTRIC BOX FOR A-3400 / A-3500 230V	1	XCA5045330
90	STEEL CORD CLAMP	1	XCA5011560
91	SCREW 4,3 X 16	2	XCA5011550
92	STEEL SCREW M 5X45	3	XCA5033490

Pos	Description	QTY	Art.code
93	SCREW M4 X 12	2	XCA5018560
94	SWITCH COVER	1	XCA5045160
95	FLEX.SWITCH PROTECTOR	1	XCA5000700
96	SCREW 4X20 TC TCR ZNT-B	2	XCA5032500
97	CONNECTOR	1	XCA5025390
99	SCREW M4 X 16	1	XCA5018600
100	PLATE	1	XCA5017200
101	ON/OFF SWITCH 25A (115-230V)	1	XCA5001620
105	CORD PROTECTOR	1	XCA5011570
106	S.A. SUPPLY CORD 3x1,5mmq L=4m	1	XCA5000730
107	SEAL RING 48x62x8	1	XCA5026380
108	BEARING NK 35/20 (35X45X20)	1	XCA5035120
110	BEARING 7202 BE -15-35-11	1	XCA5014660
112	BEARING 6001 2RS1 (12-28-8)	2	XCA5003220
113	NIDDLE BEARING NK 14/16	1	XCA5001360
114	BEARING	1	XCA5000210
115	SEAL RING 12x24x7 STAINLESS STEEL SPRING	2	XCA5003820
116	THRUST NIDDLE BEARING AX 8 16	1	XCA5000800
119	O-RING 2137	1	XCA5002450
120	S.A. ARMATURE 230V 3420W FOR A-3400 / A-3500	1	XCA5026290
121	FAN BAFFLE	1	XCA5025540
122	FIELD	1	XCA5018260
123	INSULATION STATOR/MOTOR HOUSING	1	XCA5017540
124	MOTOR HOUSING A-3400 / A-3500	1	XCA5044480
125	STEEL BEARING 15X35X11	1	XCA5002100
126	ROTOR	1	XCA5026270
127	BALL BEARING 6201-2RSL (12-32-10)	1	XCA5017500
128	RUBBER COVER	1	XCA5018690
130	ACCESSORY-PRCD ALU	1	XCA5022370
131	GASKET	1	XCA5019060
137	SPRING	2	XCA5001200
138	STEEL BALL 5/32"	2	XCA5001190
141	KIT INLET WATER WITH ALUMINIUM COVER	1	XCA5045680
142	KNOB S.A. A-3400	1	XCA5035190

Pos	Description	QTY	Art.code
143	HOUSING A-3400	1	XCA5035200
146	WASHER 5X9X1.5	3	XCA5021720
147	KIT GASKETS -SEALS-ORING A-3400	1	XCA5035210
150	RETAINING RING FOR A-3400	1	XCA5044980
152	KIT INLET WATER WITH ALUMINIUM COVER	1	XCA5045710
153	S.A. STATOR PACK 230V 3420W	1	XCA5045070
154	WATER KIT PIPE	1	XCA5005070