

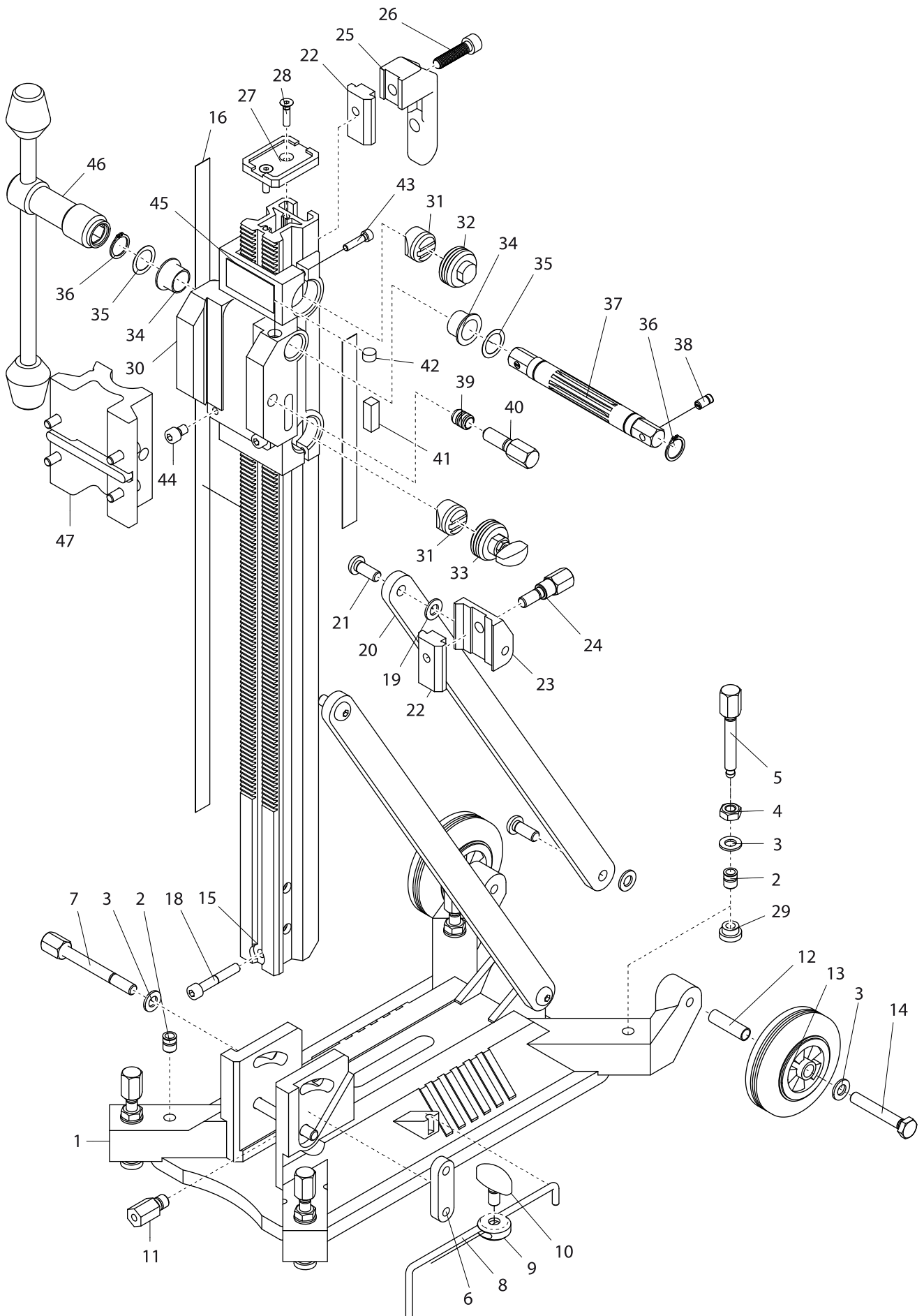




## A-2510L

| POS. | OMSCHRIJVING                   | ONDERDEELNR  |
|------|--------------------------------|--------------|
| 1    | GARDENA TULE MESSING           | XAM-F20150   |
| 2    | RING 13x18x1                   | XAM-F43350   |
| 3    | KOGELKRAAN                     | ZZ-KK02500   |
| 4    | FLOWMETER                      | XAM-N14082   |
| 5    | WATERSLANG                     | XAM-N14081   |
| 6    | CILINDERKOPBOUT BZK M5x20      | XAM-FBC720   |
| 7    | WATERKOP CARAT                 | XAM-N25022   |
| 8    | KEERRING 40X55X6               | XAM-E30A40   |
| 9    | KEERRING 40X62X6               | XAM-E30A41   |
| 10   | VULRING                        | XAM-N25029   |
| 11   | KEERRING 40X50X7               | XAM-E3068B   |
| 12   | VOORAS 5/4" - 1/2"             | XAM-N25046   |
| 13   | HOOFDAS                        | XAM-N25020   |
| 14   | AXIAAL KOGELLAGER 51106        | XAM-EN015A   |
| 15   | NAALDLAGER 30/20               | XAM-EC050A   |
| 16   | VERSNELINGSBAK 2500W CARAT     | XAM-N25001B  |
| 17   | OLIEPOMP                       | XAM-N25030   |
| 18   | KOGELLAGER 6201                | XAM-EA020B   |
| 19   | TANDWIELAS                     | XAM-N25008   |
| 20   | SPIE 4X4X10                    | XAM-F6R110   |
| 21   | TANDWIEL 2500W                 | XAM-N25006   |
| 22   | SHIMRING 15X21                 | XAM-FS15P1   |
| 23   | AXIAALNAALDLAGERSCHIJF 3047    | XAM-EN0102   |
| 24   | AXIAAL LAGER KRANS 3047        | XAM-EN0103   |
| 25   | DRUKRING                       | XAM-N25018   |
| 26   | SLIPRING                       | XAM-N25016   |
| 27   | SCHAKELTANDWIEL                | XAM-N25015   |
| 28   | NAALDLAGER 26X30               | XAM-EC070A   |
| 29   | BORGRING                       | XAM-N25019   |
| 30   | AFSTANDSRING                   | XAM-N25019A  |
| 31   | SCHOTELVEER 45X22,4            | XAM-FR9450   |
| 32   | ZESKANTMOER TBV SLIPKOPPELING  | XAM-N25080   |
| 33   | KOGELLAGER 6302                | XAM-EA037B   |
| 34   | SCHAKELAS                      | XAM-N25009   |
| 35   | KOGEL ROND 3.97                | XAM-EW0031   |
| 36   | DRUKVEER                       | XAM-N25045   |
| 37   | TANDWIEL                       | XAM-N25012   |
| 38   | SCHAKELTANDWIEL                | XAM-N25011   |
| 39   | TANDWIEL                       | XAM-N25010   |
| 40   | SEEGERRING 16MM                | XAM-FR0160   |
| 41   | SPIE 6X6X45                    | XAM-F6R345   |
| 42   | SHIMRING 25x35                 | XAM-FS25P2   |
| 43   | SEEGERRING 24mm                | XAM-FR0240   |
| 44   | SCHAKELKNOP COMPLEET 2500/3300 | XAM-N18006C3 |
| 45   | O-RING 21x2,0                  | XAM-E4021B   |
| 46   | ANKER COMPLEET A-2510          | XAM-N25014CL |
| 47   | CILINDERKOPBOUT BZK M5X60      | XAM-FBC760   |
| 48   | SLUITRING M5                   | XAM-FS0500   |
| 49   | O-RING 109X2,0                 | XAM-E4099B   |
| 50   | NAALDHUIS 2020                 | XAM-EB031A   |
| 51   | TUSSENFLENS TBV A-2510         | XAM-N250241  |
| 52   | TANDVEERRING M4                | XAM-FV04TV   |
| 53   | CILINDERSCHROEF M4x10          | XAM-FZ4110   |
| 54   | AARDEKABEL                     | XAM-N25063   |
| 55   | VERZONKEN SCHROEF 3,5x8        | XAM-FQ2408   |
| 56   | O-RING 40X2,0                  | XAM-E4039B   |
| 57   | KEERRING 15X24X5               | XAM-E30A15   |
| 58   | PASPEN 4X16                    | XAM-F6PF16   |
| 59   | NAALDHUIS 1412                 | XAM-EB018A   |
| 60   | TANDWIELAS A-2510              | XAM-N25005   |

|    |                                |             |
|----|--------------------------------|-------------|
| 61 | KOGELLAGER 6203                | XAM-EA036F  |
| 62 | SEEGERRING 17mm                | XAM-FR0170  |
| 63 | ANKER 2500W                    | XAM-N25014  |
| 64 | KOGELLAGER 629                 | XAM-EA007D  |
| 65 | LAGERKAP                       | XAM-N25065  |
| 66 | LUCHTRING 2500W                | XAM-N25026A |
| 67 | STATOR 2500W                   | XAM-N25013  |
| 68 | CILINDERKOPBOUT BZK M6X100     | XAM-FBC8100 |
| 69 | VULBUS                         | XAM-N25028  |
| 70 | MOTORHUIS CARAT 2500W          | XAM-N25025A |
| 71 | LAMINAAT STICKER TBV TYPEPLAAT | XAM-N140281 |
| 72 | TYPEPLAATJE A-2510             | XAM-N25071  |
| 73 | PRINTPLAAT COMPLEET 2500W      | XAM-N25042  |
| 74 | EINDEKSEL                      | XAM-N25044  |
| 75 | CILINDERKOPBOUT BZK M5X35      | XAM-FBC735  |
| 76 | SCHAKELAAR 20A                 | XAM-N25056  |
| 77 | KOOLBORSTELDOP                 | XAM-N25041  |
| 78 | KOOLBORSTELSET A-2510/A-3310   | XAM-N25040  |
| 79 | KOOLBORSTELHOUDER 2500W        | XAM-N25035A |
| 80 | 3-KLEUREN LED                  | XAM-N25055  |
| 81 | STELSCHROEF M5x10              | XAM-FIK051  |
| 82 | CONDENSATOR                    | XAM-N25064  |
| 83 | ELECTROKABEL INCL PRCD         | XAM-N25061  |
| 84 | AFDEKPLAATJE SCHAKELAAR        | XAM-N25058  |
| 85 | HANDLEIDING A-2510             | XAM-N25075  |
| 86 | OLIE VERSNELINGSBAK            | XAM-N25078  |
| 87 | STEEKSLEUTEL 41                | ZZ-SS41000  |
| 88 | STEEKSLEUTEL 32                | ZZ-SS32000  |
| 89 | CIRCLIP SW20                   | XAM-FR4200  |
| 90 | RING TBV SLIPKOPPELING         | XAM-N25021  |
| 94 | STEEKSLEUTEL 36                | ZZ-SS36000  |
| 95 | PAKKING TBV A-2510/A-3310      | XAM-N25087  |
| 96 | PLAATJE SCHAKELAAR             | XAM-N25023A |
| 97 | SCHAKELAARKNOP                 | XAM-N18006A |



## S-2300

| POS. | OMSCHRIJVING                       | ONDERDEELNR  |
|------|------------------------------------|--------------|
| 1    | VOETPLAAT S-2300                   | XST-79800820 |
| 2    | HELICOIL S-2300                    | XST-FG101500 |
| 3    | TUSSENRING M10 S-2300              | XST-FS100000 |
| 4    | ZESKANTMOER S-2300                 | XST-FM100000 |
| 5    | STELBOUT S-2300                    | XST-79800280 |
| 6    | KLEMPLAAT S-2300                   | XST-79800260 |
| 7    | KOLOMBOUT S-2300                   | XST-79800250 |
| 8    | KLEMBLOK TBV CENTREERPEN S-2300    | XST-79800430 |
| 9    | CENTREERPEN S-2300                 | XST-79800420 |
| 10   | VLEUGELBOUT S-2300                 | XST-F4001300 |
| 11   | KOLOM-AANSLAG S-2300               | XST-79800270 |
| 12   | WIELBUS S-2300                     | XST-79800550 |
| 13   | WIEL S-2300                        | XST-F0033000 |
| 14   | ZESKANTBOUT S-2300                 | XST-FB106500 |
| 15   | KOLOM S-2300                       | XST-79800310 |
| 16   | STICKER DIEPTE-AANDUIDING S-2300   | XST-79220900 |
| 17   | STICKER HOEK-AANDUIDING S-2300     | XST-79221000 |
| 18   | IMBUSBOUT S-2300                   | XST-FBC05000 |
| 19   | TUSSENRING M10 S-2300              | XST-FS10K100 |
| 20   | ACHERSCHOOR S-2300                 | XST-79800390 |
| 21   | BOUT MET BINNENSCHROEFDRAAD S-2300 | XST-FBE12250 |
| 22   | KLEMBLOKJE S-2300                  | XST-79800400 |
| 23   | GLIJBLOK ACHTERSCHOOR S-2300       | XST-79800870 |
| 24   | BOUT TBV KLEMBLOKJE S-2300         | XST-79800410 |
| 25   | HANDGREEP S-2300                   | XST-7980086A |
| 26   | BOLKOPSCROEF S-2300                | XST-FBE12400 |
| 27   | BOVENPLAAT KOLOM S-2300            | XST-79800350 |
| 28   | MONTAGESCHROEF S-2300              | XST-FF363000 |
| 29   | VOETJE S-2300                      | XST-F4261100 |
| 30   | SLIDE BLOCK S-2300                 | XST-79800840 |
| 31   | GLIJBLOK S-2300                    | XST-79230100 |
| 32   | STELSCHROEF S-2300                 | XST-79800230 |
| 33   | LAGERBUS S-2300                    | XST-79800090 |
| 34   | LAGERBUS S-2300                    | XST-ET019A00 |
| 35   | TUSSENRING S-2300                  | XST-FS20P300 |
| 36   | ZEKERINGSRING S-2300               | XST-FR020000 |
| 37   | PRESSURE THREAD S-2300             | XST-79800380 |
| 38   | KOGELKLEM S-2300                   | XST-F4261000 |
| 39   | HELICOIL S-2300                    | XST-FG121500 |
| 40   | WATERPAS RECHT S-2300              | XST-79800540 |
| 41   | LIBELLE RECHTHOEK S-2300           | XST-A5026000 |
| 42   | WATERPAS ROND S-2300               | XST-F1066000 |
| 43   | IMBUSBOUT S-2300                   | XST-FBC82500 |
| 44   | TYPEPLAATJE S-2300                 | XST-FBC01200 |
| 45   | DRAAISTANG COMPLEET S-2300         | XST-79800620 |
| 46   | DRAAISTANG COMPLEET S-2300         | XST-79800110 |
| 47   | MOTORMONTAGEPLAAT S-2300           | XST-7B05B100 |