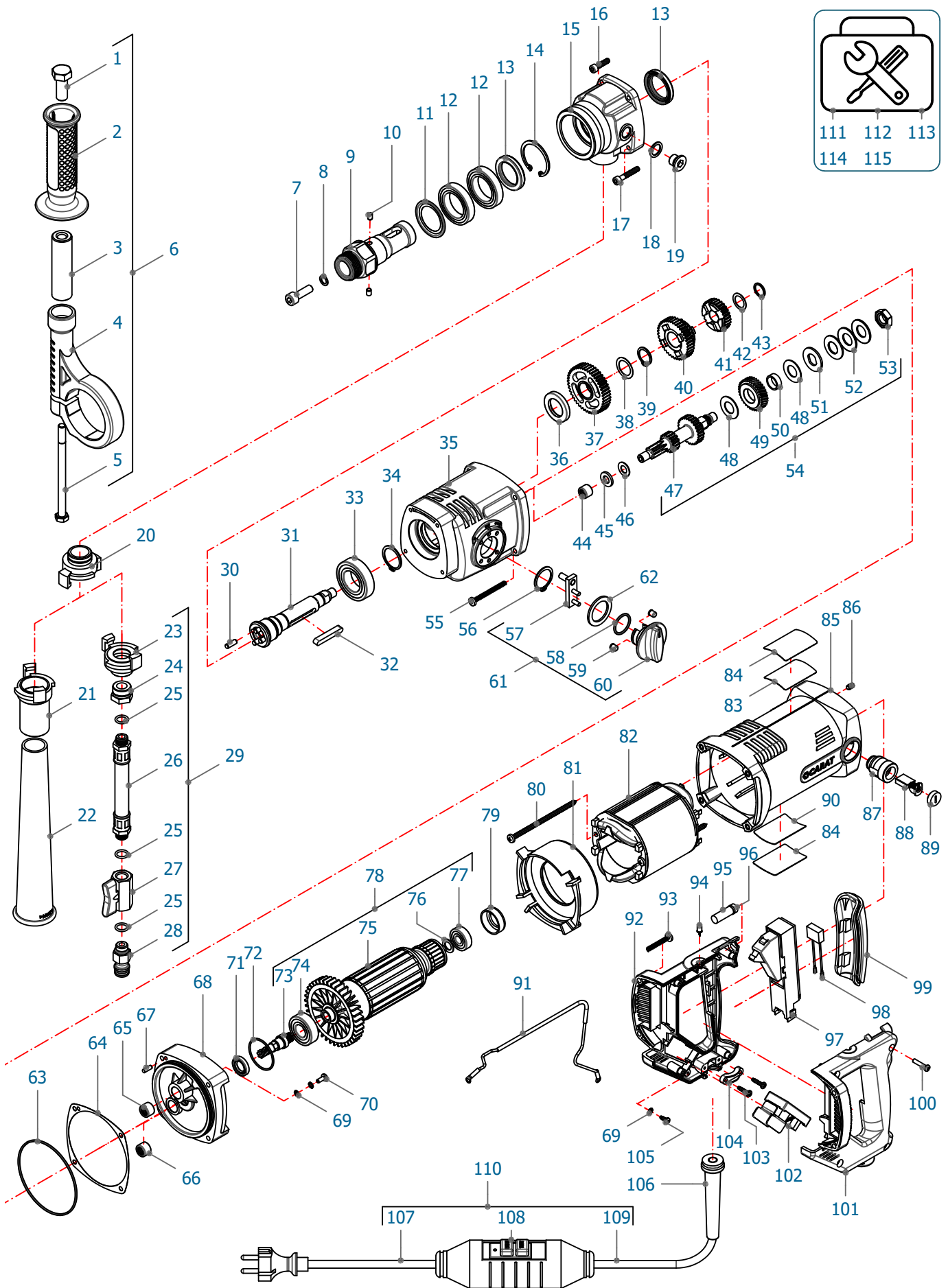


111 112 113
114 115



NR.	OMSCHRIJVING	ARTIKELNR.
1	Hex-Head Bolt	XAM-FB2030
2	Grip	XAM-N14027
3	Clamp Shaft	XAM-N18033
4	Clampring Ø60	XAM-N18032
5	Hex-Head Bolt	XAM-FC0820
6	Grip Assembly	XAM-N20042
7	Hexagon Socket Head Cap Screw	XAM-FBC025
8	Copper Sealing Ring	XAM-90374
9	Main Shaft M30	XAM-N18030B
10	Parallel pin	XAM-F6PG08
11	Metal Shield	XAM-EXR100
12	Bearing	XAM-EA057A
13	Shaft Seal Ring	XAM-E30A28
14	Spring Retaining Ring	XAM-FR140
15	Exchange Housing	XAM-N18022
16	Cylinder Head Cap Screw	XAM-FBC720
17	Cylinder Head Cap Screw	XAM-FBC730
18	Seal Ring	XAM-F43350
19	Stop	XAM-F45625
20	Geka Coupling	XAM-F43282
21	Geka Coupling	XAM-F43283
22	Dust Tule	XAM-N18045
23	Geka Coupling	XAM-F43281
24	Coupling	XAM-F45560
25	O-Ring	XAM-E4011
26	Waterhose	XAM-N14081
27	Valve	XAM-F43343
28	GARDENA Adapter G1/4"	XAM-F2015
29	Water Coupling Assembly	XAM-N18322
30	Parallel Pin	XAM-F6PG14
31	Main shaft	XAM-N20002
32	Parallel Key	XAM-F6R340
33	Bearing	XAM-EA050A
34	Spring Retaining Ring	XAM-FR0250
35	Gearbox	XAM-N20001
36	Shaft Seal Ring	XAM-E32030
37	Gear Z=45	XAM-N20003

NR.	OMSCHRIJVING	ARTIKELNR.
38	Shim-ring	XAM-FS18P2
39	Spring Retaining Ring	XAM-FR0180
40	Gear Z=38	XAM-N20004
41	Gear Z=29	XAM-N20006
42	Shim-ring	XAM-FS14P2
43	Circlip	XAM-FR4140
44	Needle Roller Bearing Drawn Cup	XAM-EB009A
45	Needle Bearing	XAM-EN0109
46	Needle Bearing Disc	XAM-EN01091
47	Gearshaft	XAM-N20007
48	Clutch Washer	XAM-N20009
49	Clutch Gear Z=34	XAM-N20008
50	Sliding Bush	XAM-N20010
51	Lock washer	XAM-N20011
52	Disc Spring	XAM-FR6280
53	Locking Nut	XAM-N20012
54	Gear Assembly	XAM-N20041
55	Pan Head Tapping Screw	XAM-FF1450
56	Spring Retaining Ring	XAM-FR0240
57	Switch Handle	XAM-N20016A
58	O-Ring	XAM-E4021B
59	Spring Plunger	XAM-F42605
60	Switch Knob	XAM-N18006A
61	Switch Knob Assembly	XAM-N18006C2
62	Shim-ring	XAM-FS25P2
63	O-Ring	XAM-E4084A
64	Oil Seal	XAM-N14096
65	Needle Roller Bearing Drawn Cup	XAM-EB012A
66	Needle Roller Bearing Drawn Cup	XAM-EB012B
67	Parallel Pin	XAM-F6Q112
68	Gearbox Cover	XAM-N20015
69	Toothed Lock Washer	XAM-FV04TV
70	Pan Head Screw	XAM-FZ4110
71	Shaft Seal Ring	XAM-E30A05
72	O-Ring	XAM-E4035A
73	Pinion gear Z=6	XAM-N20005
74	Bearing	XAM-EA028F

NR.	OMSCHRIJVING	ARTIKELNR.
75	Armature 2000 Watt (230V)	XAM-N20014
76	Shim Ring	XAM-FS10P2
77	Bearing	XAM-EA007D
78	Armature Assembly	XAM-N20038
79	Bearing Cup	XAM-N14011
80	Pan Head Tapping Screw	XAM-FF1410
81	Aircover	XAM-N14010
82	Stator 2000 Watt (230V)	XAM-N20013
83	Indicationsticker 1st Gear Controtec	XAM-N140283
84	Serial Protection	XAM-N140281
85	Motor Housing Carat	XAM-N20017
86	Hexagon Socket Set Screw	XAM-FIK051
87	Brushholder	XAM-N14020
88	Brush - 115/230V	XAM-N14058
89	Brushholder-Cap	XAM-N14022
90	Serial Plate A-2031	XAM-N20227
91	Earth Cable (Back Grip)	XAM-N20023
92	Grip (Right Cover)	XAM-N20020
93	Pan Head Tapping Screw	XAM-FF1432
94	LED	XAM-N14032
95	Tube Air Level	XAM-N14034
96	Air Level	XAM-N14035
97	Switch	XAM-N20030
98	Capicitor Assembly	XAM-N20022
99	Soft Grip	XAM-N20019
100	Tapping Screw EJOT	XAM-N14040
101	Grip (Left Cover)	XAM-N20021
102	Motor Control 2000 Watt	XAM-N20018
103	Tapping Screw EJOT	XAM-N14039
104	Cable Clamp	XAM-N14024
105	Pan Head Tapping Screw	XAM-FQ2408
106	Cable hose	XAM-N14023
107	Electrocable	XAM-N18050
108	Personal Safety Switch	XAM-9Q2024

NR.	OMSCHRIJVING	ARTIKELNR.
109	Electrocable	XAM-N20051
110	Electrocable Assembly (Black)	XAM-N20050
113	Bottle with Oil	XAM-N20045
114	Wrench SW36	XAM-G10010
115	Tool Case	ZVMKA20310