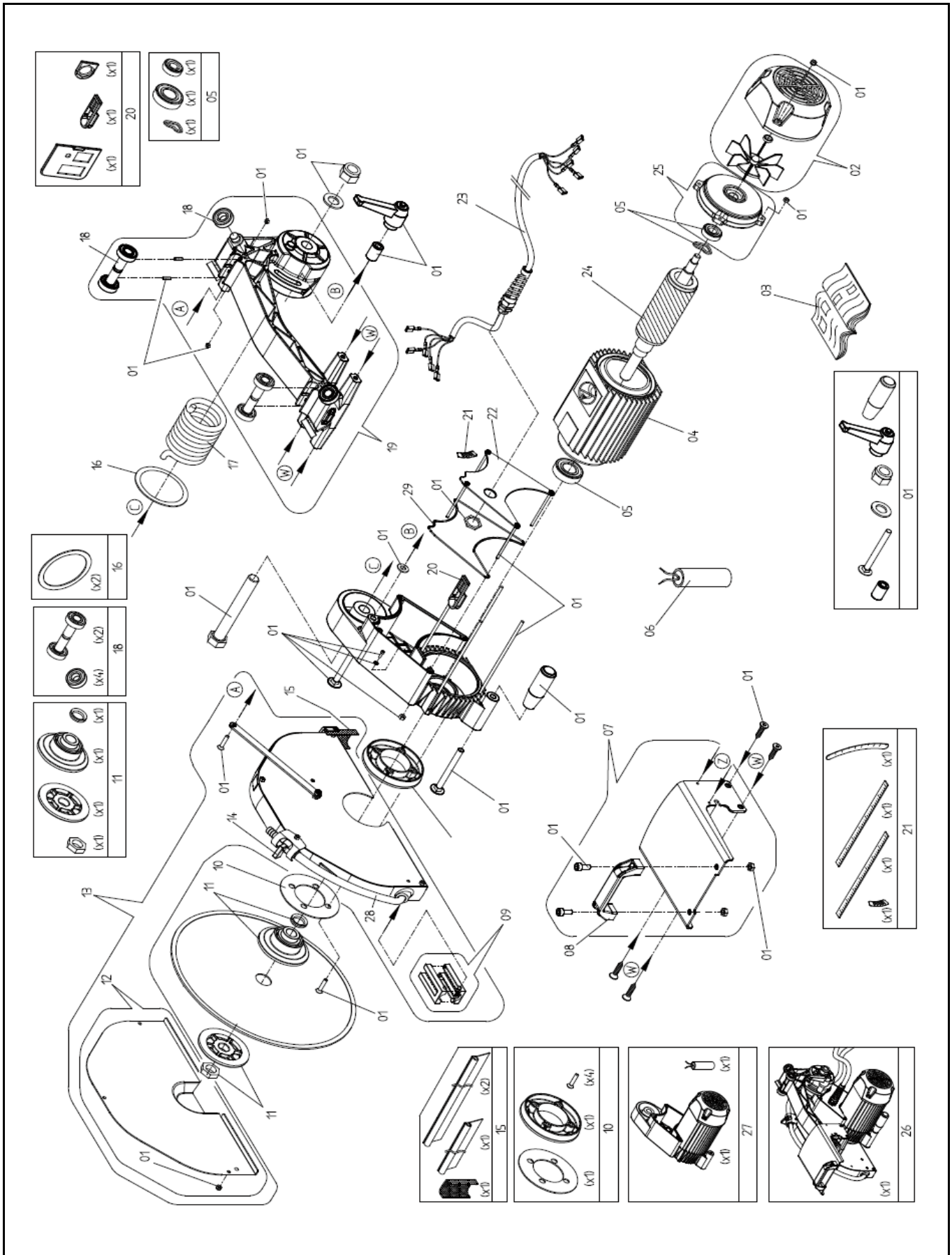
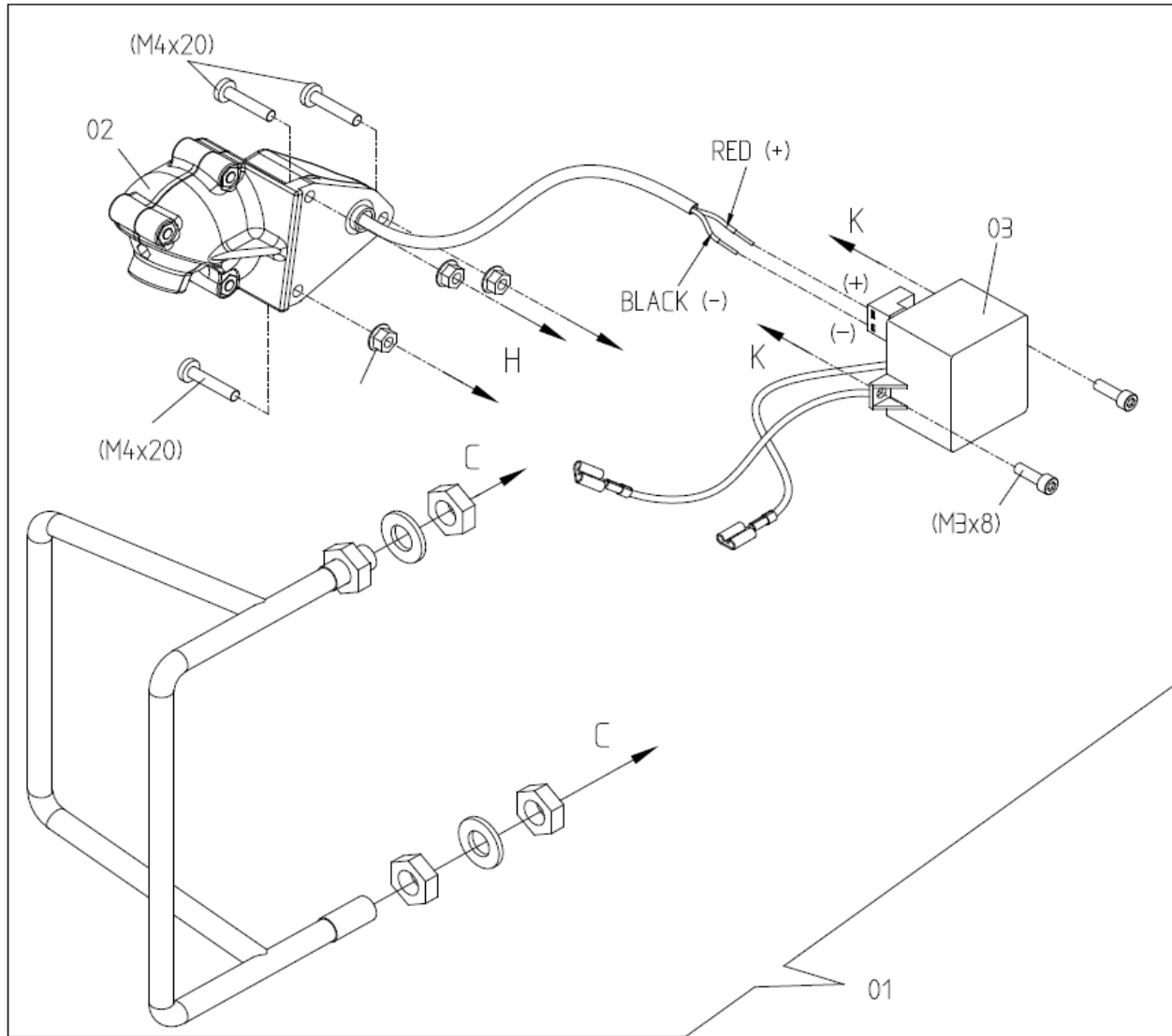
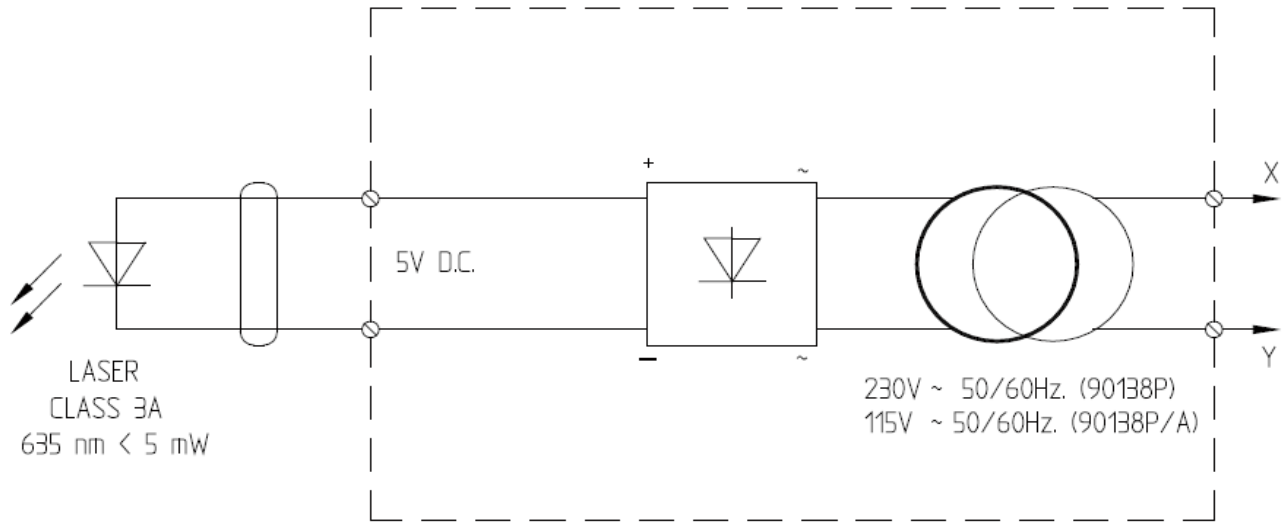


| Nr. | Omschrijving | Artikelnummer | Nr. | Omschrijving | Artikelnummer |
|-----|-------------------------------------|---------------|-----|--------------|---------------|
| 1 | SET POTEN COMPL. | XSPC90034000 | | | |
| 2 | SCHROEVEN/MOERENSET TBV FRAME | XSPC90238000 | | | |
| 3 | BLOKKEERHENDEL | XSPC90120000 | | | |
| 4 | SET SPATLAPPEN | XSPC90132000 | | | |
| 5 | WATERSTOP COMPL. | XSPC84025000 | | | |
| 6 | KUNSTSTOF DOP TBV POOT | XSPC90090000 | | | |
| 7 | SET MONTAGEPLATEN TBV BRUGSTEUN | XSPC90207000 | | | |
| 8 | SET BRUGSTEUNEN | XSPC90209000 | | | |
| 9 | SET LINIALEN | XSPC90223000 | | | |
| 10 | BESCHERMBEUGEL LASER | XSPC90217-10 | | | |
| 11 | SCHROEVEN/MOERENSET TBV BRUG | XSPC90239000 | | | |
| 12 | KABELBOOM | XSPC90084000 | | | |
| 13 | THERMISCHE VEILIGHEID | XSPC90081000 | | | |
| 14 | SPANNINGSAANDUIDING ROOD/GROEN | XSPC90082000 | | | |
| 15 | SCHAKELAAR | XSPC90080000 | | | |
| 16 | ELECTRO-UNIT | XSPC90079000 | | | |
| 17 | AANSLUITDOOS COMPL. | XSPC90203-F0 | | | |
| 18 | OPBOUWSTEKKER COMPL. 230V | XSPC90242000 | | | |
| 19 | ELEK WATERPOMP P-3 P-3500 | XWPE030000 | | | |
| 20 | WATERSLANG | XSPC07071R00 | | | |
| 21 | HOEKPROFIEL LINKS INCL. BLOKKEERHEN | XSPC90121000 | | | |
| 22 | GLIJLATTEN RVC TBV BRUG | XSPC90218-10 | | | |
| 23 | SET VOORAANSLAGEN | XSPC90213000 | | | |
| 24 | BOVENTAFEL COMPL. | XSPC90216-85 | | | |
| 25 | VARIABELE MATERIAALAANSLAG COMPL | XSPC90235000 | | | |
| 26 | HANDWIEL COMPL. | XNB90166-550 | | | |
| 27 | STALEN KABEL TBV HANDWIEL | XSPC90251-10 | | | |
| 28 | BRUG COMPL. | XSPC90200-10 | | | |
| 29 | KABELANTENNE | XSPC90251000 | | | |
| 30 | WATERBAK | XSPC90135-10 | | | |
| 31 | HANDGREEP COMPL. | XSPC90119000 | | | |
| 32 | BLOKKEERHENDEL COMPL. TBV POOT | XSPC90039000 | | | |
| 33 | WIELSTEL COMPL. | XNB90102R000 | | | |
| 34 | GEREEDSCHAPSET COMPL. | XSPC03032000 | | | |
| 35 | ALUMINIUM FRAME COMPLEET | XSPC90232-10 | | | |



| Nr. | Omschrijving | Artikelnummer | Nr. | Omschrijving | Artikelnummer |
|-----|---------------------------------|---------------|-----|--------------|---------------|
| 1 | SCHROEVEN/MOERENSET TBV MOTOR | XSPC90067000 | | | |
| 2 | VENTILATOR + KAP | XSPC90014000 | | | |
| 3 | HANDLEIDING | XSPC90554000 | | | |
| 4 | VELD COMPL. 230V | XSPC90097000 | | | |
| 5 | LAGER/RINGENSET TBV MOTOR | XSPC09504200 | | | |
| 6 | CONDENSATOR 40Mf. | XSPC90083-10 | | | |
| 7 | HANDGREEPBEUGEL COMPL. | XSPC90206000 | | | |
| 8 | KUNSTSTOF HANDGREEP | XSPC03055000 | | | |
| 9 | SPROEIVORK COMPL. | XSPC90016000 | | | |
| 10 | SET MONTAGERINGEN TBV ZAAGKAP | XSPC90031000 | | | |
| 11 | FLENZENSET COMPL. | XSPC90005000 | | | |
| 12 | PLAAT ZAAGKAP COMPL. Ø350MM | XSPC90022000 | | | |
| 13 | ZAAGKAP COMPL. Ø350MM | XSPC90229000 | | | |
| 14 | WATERKRAAN COMPL. | XSPC90153000 | | | |
| 15 | SET SPATLAPPEN | XSPC90132000 | | | |
| 16 | SET FRICTIERINGEN | XSPC90042000 | | | |
| 17 | VEER TBV HOOGTE-INSTELLING | XSPC90044000 | | | |
| 18 | LAGERSET TBV ZAAGWAGEN | XSPC90237000 | | | |
| 19 | ZAAGWAGEN COMPL. | XSPC90230000 | | | |
| 20 | SET MONTAGEPLAATJES | XSPC90020000 | | | |
| 21 | SET LINIALEN | XSPC90223000 | | | |
| 22 | MONTAGEPLAAT MOTOR | XSPC90205000 | | | |
| 23 | VOEDINGSKABEL NAAR MOTOR | XSPC90165000 | | | |
| 24 | ANKER COMPL. | XSPC90047000 | | | |
| 25 | AFDEKKAP TBV VELD COMPL. | XSPC90056000 | | | |
| 26 | MOTOR + OPHANGING P-3510 COMPL. | XSPC90233-10 | | | |
| 27 | MOTOR COMPL. 230V | XSPC90231000 | | | |
| 28 | WATERSLANG | XSPC07071T00 | | | |
| 29 | DICHTING MONTAGEPLAAT MOTOR | XSPC90059000 | | | |



| Nr. | Omschrijving | Artikelnummer | Nr. | Omschrijving | Artikelnummer |
|-----|---------------|---------------|-----|--------------|---------------|
| 1 | LASER COMPL. | XNB901690000 | | | |
| 2 | LASER UNIT | XSPC90137000 | | | |
| 3 | LASER VOEDING | XSPC90138P00 | | | |