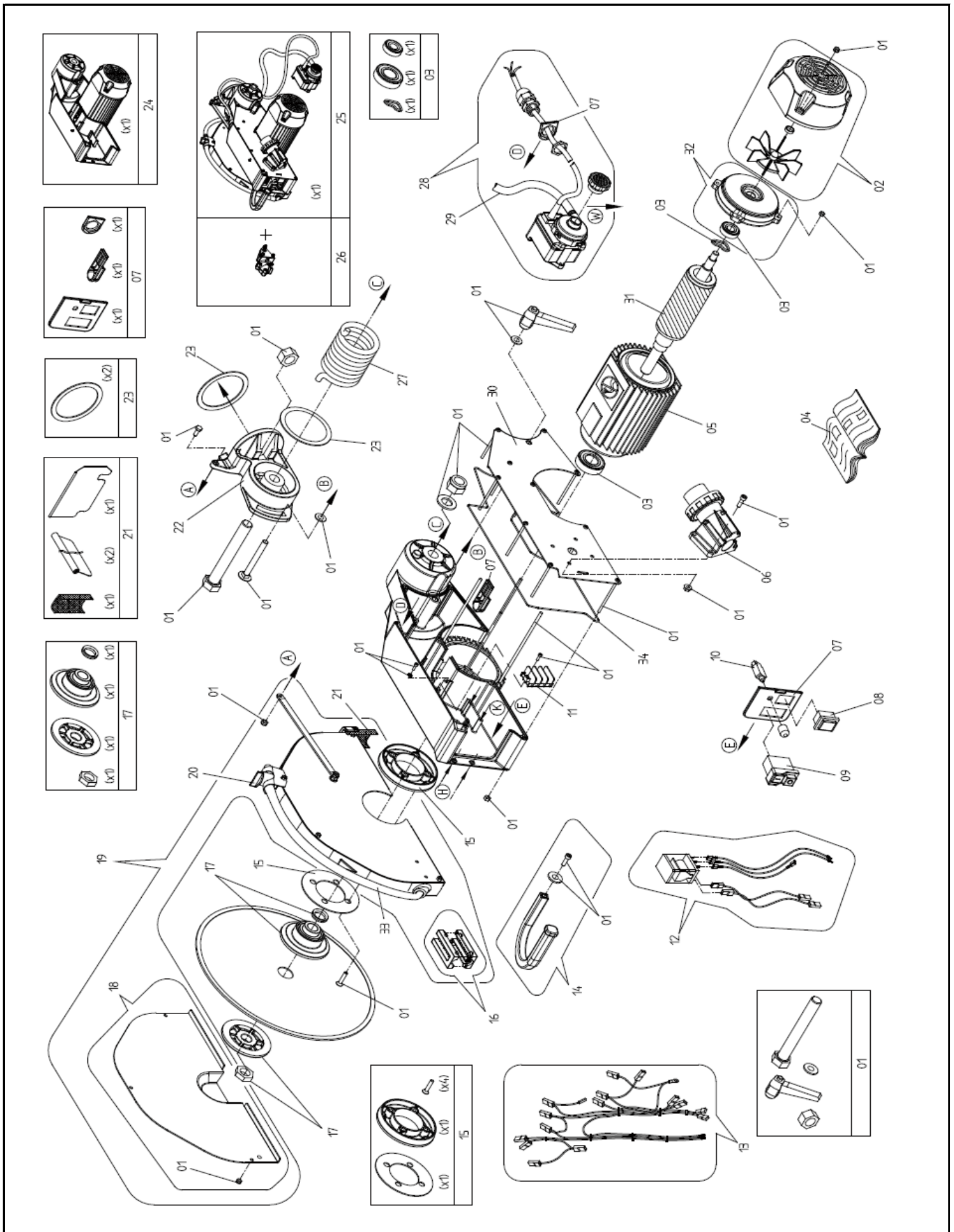
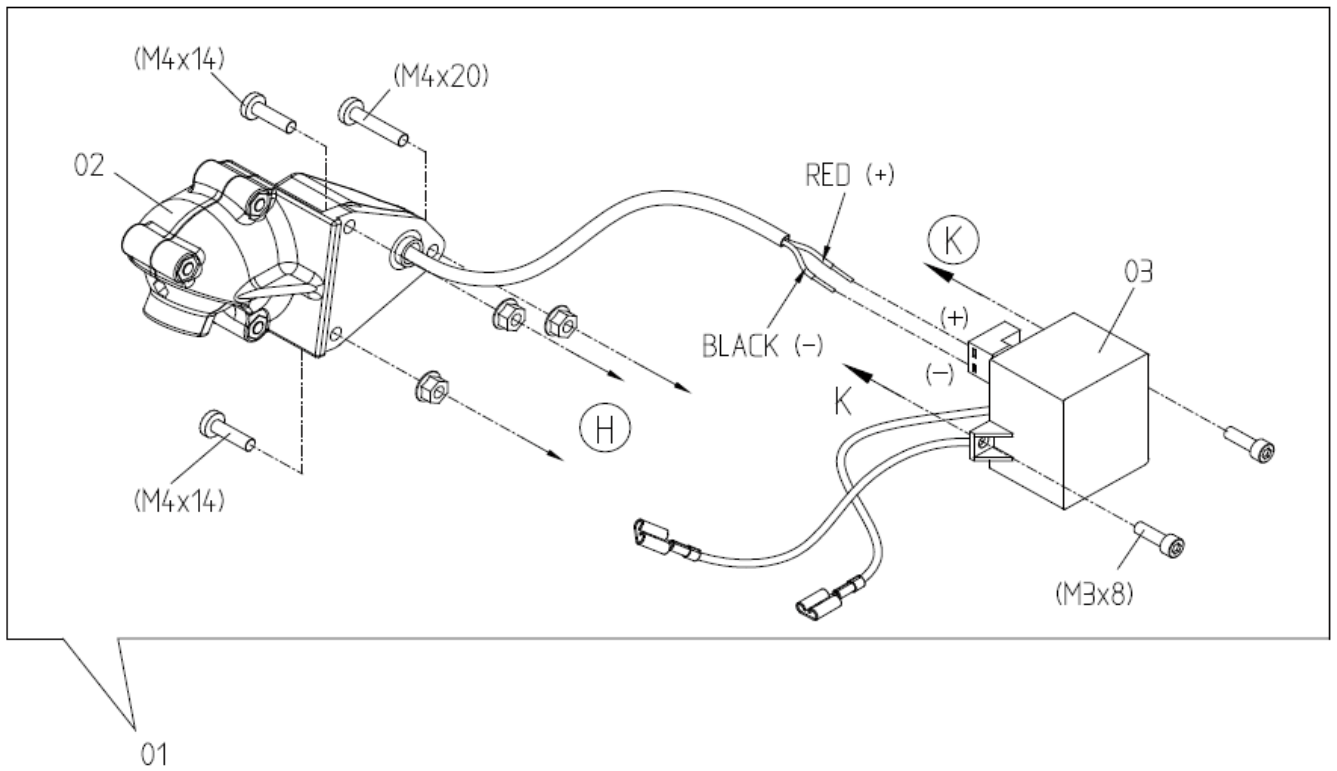
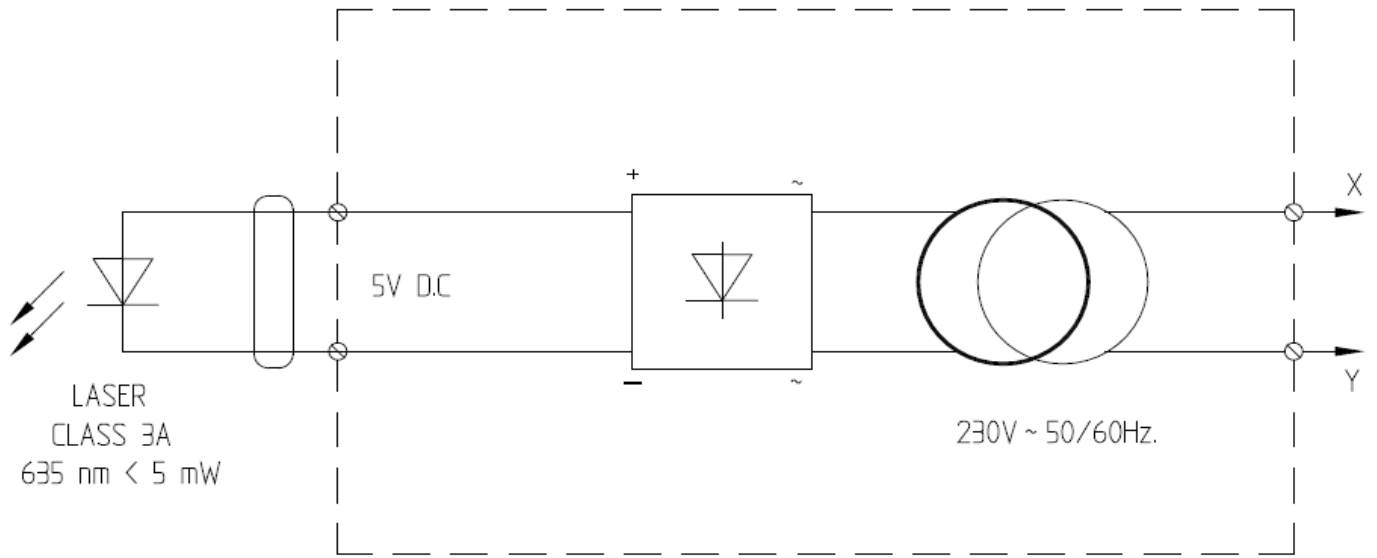


Nr.	Omschrijving	Artikelnummer	Nr.	Omschrijving	Artikelnummer
1	SET POTEN COMPL.	XSPC90034000			
2	HOEKPROFIEL RECHTS INCL.	XSPC90120000			
3	KUNSTSTOF DOPPENSET TBV POTEN	XSPC90090000			
4	SCHROEVEN/MOERENSET TBV FRAME	XSPC90157000			
5	ALUMINIUM FRAME COMPLEET	XSPC90008-C0			
6	HANDGREEP COMPL.	XSPC90119000			
7	SET SPATLAPPEN	XSPC90043000			
8	HOEKPROFIEL LINKS INCL. BLOKKEERHEND	XSPC90121000			
9	ZAAGWAGENBLOKKERING COMPL.	XSPC90118000			
10	SET RAILS	XSPC90035000			
11	WIELSET COMPL. TBV ZAAGWAGEN	XSPC90122000			
12	SET RAILHOUDERS	XSPC90011000			
13	WIELSTEL INCL. HOUDERS TBV ZAAGWAG	XSPC90123000			
14	CENTIMETERVERDELING ZAAGWAGEN	XSPC90050000			
15	VARIABELE MATERIAALAANSLAG COMPL	XSPC90107000			
16	ZAAGWAGEN COMPL.	XSPC90106000			
17	ALUMINIUM ZAAGARM	XSPC90156000			
18	SCHROEVEN/MOERENSET TBV ZAAGARM	XSPC90070000			
19	HOUDER GROTE SPATLAP	XSPC90320000			
20	WATERSTOP COMPL.	XSPC84025000			
21	GEREEDSCHAPSET COMPL.	XSPC03032000			
22	WIELSTEL COMPL.	XNB90102R000			
23	BLOKKEERHENDEL COMPL. TBV POOT	XSPC90039000			
24	WATERBAK	XSPC90135000			
25	VOORAANSLAG COMPL.	XSPC90024000			



Nr.	Omschrijving	Artikelnummer	Nr.	Omschrijving	Artikelnummer
1	SCHROEVEN/MOERENSETSET TBV MOTO	XSPC90051000			
2	VENTILATOR + KAP	XSPC90014000			
3	LAGER/RINGENSET TBV MOTOR	XSPC09504200			
4	HANDLEIDING	XSPC90134000			
5	VELD 400V COMPL.	XSPC90097-T3			
6	OPBOUWSTEKKER COMPL. 400V	XSPC90076-T0			
7	SET MONTAGEPLAATJES	XSPC90020000			
8	SPANNINGSAANDUIDING ROOD/GROEN	XSPC90082000			
9	SCHAKELAAR	XSPC90080000			
10	THERMISCHE VEILIGHEID 400V	XSPC90081-T3			
11	THERMISCHE VEILIGHEID	XSPC90081000			
12	AANSLUITBLOKJE	XSPC90158000			
13	KABELBOOM	XSPC90084000			
14	HANDGREEP COMPL.	XSPC90104000			
15	SET MONTAGERINGEN TBV ZAAGKAP	XSPC90031000			
16	SPROEIVORK COMPL.	XSPC90016000			
17	FLENZENSET COMPL.	XSPC90005000			
18	PLAAT ZAAGKAP COMPL. Ø350MM	XSPC90022000			
19	ZAAGKAP COMPL. Ø350MM	XSPC90103000			
20	WATERKRAAN COMPL.	XSPC90153000			
21	SET SPATLAPPEN	XSPC90043000			
22	ALU. HUIS TBV HOOGTE-INSTELLING	XSPC90003000			
23	SET FRICTIERINGEN	XSPC90042000			
24	MOTOR COMPL. 400V	XSPC90105-T3			
25	ZAAGKOP COMPL. 400V	XSPC90108000			
26	ZAAGKOP COMPL. 400V INCL. LASER	XSPC90108-ST			
27	VEER TBV HOOGTE-INSTELLING	XSPC90044000			
28	ELEK WATERPOMP P-2 / T-3510	XWPE020000			
29	WATERSLANG	XSPC07071R00			
30	MONTAGEPLAAT MOTOR	XSPC90025000			
31	ANKER COMPL.	XSPC90047000			
32	AFDEKKAP TBV VELD COMPL.	XSPC90056000			
33	WATERSLANG	XSPC07071T00			
34	DICHTING MONTAGEPLAAT MOTOR	XSPC90059000			



Nr.	Omschrijving	Artikelnummer	Nr.	Omschrijving	Artikelnummer
1	LASER COMPL. T-3510	XNB901090000			
2	LASER UNIT	XSPC90137000			
3	LASER VOEDING	XSPC90138P00			