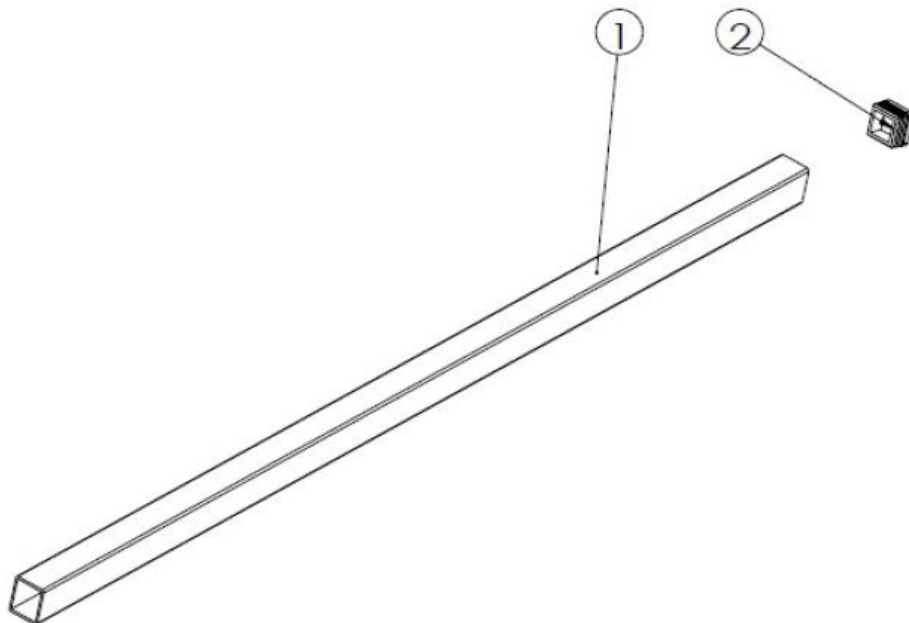
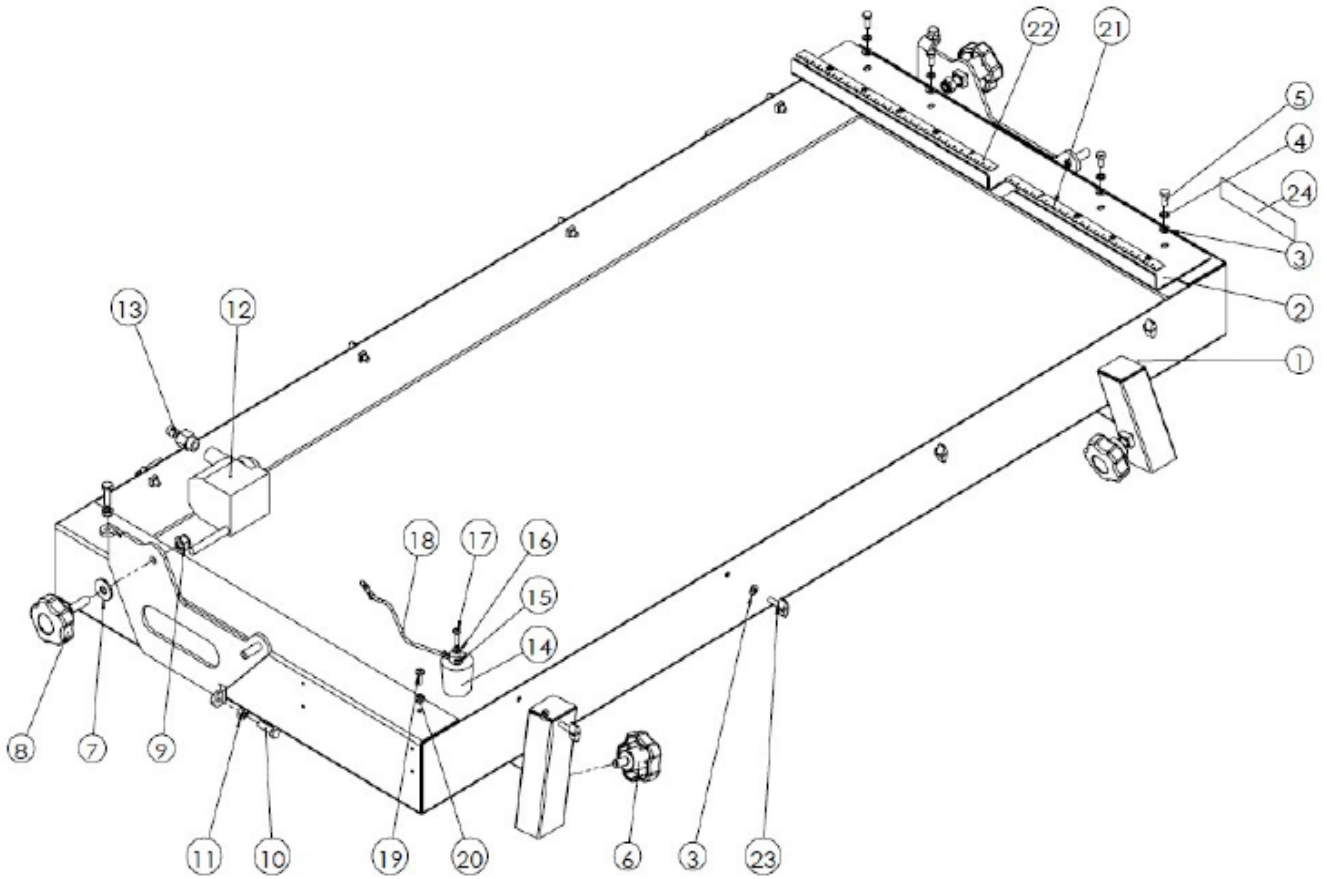
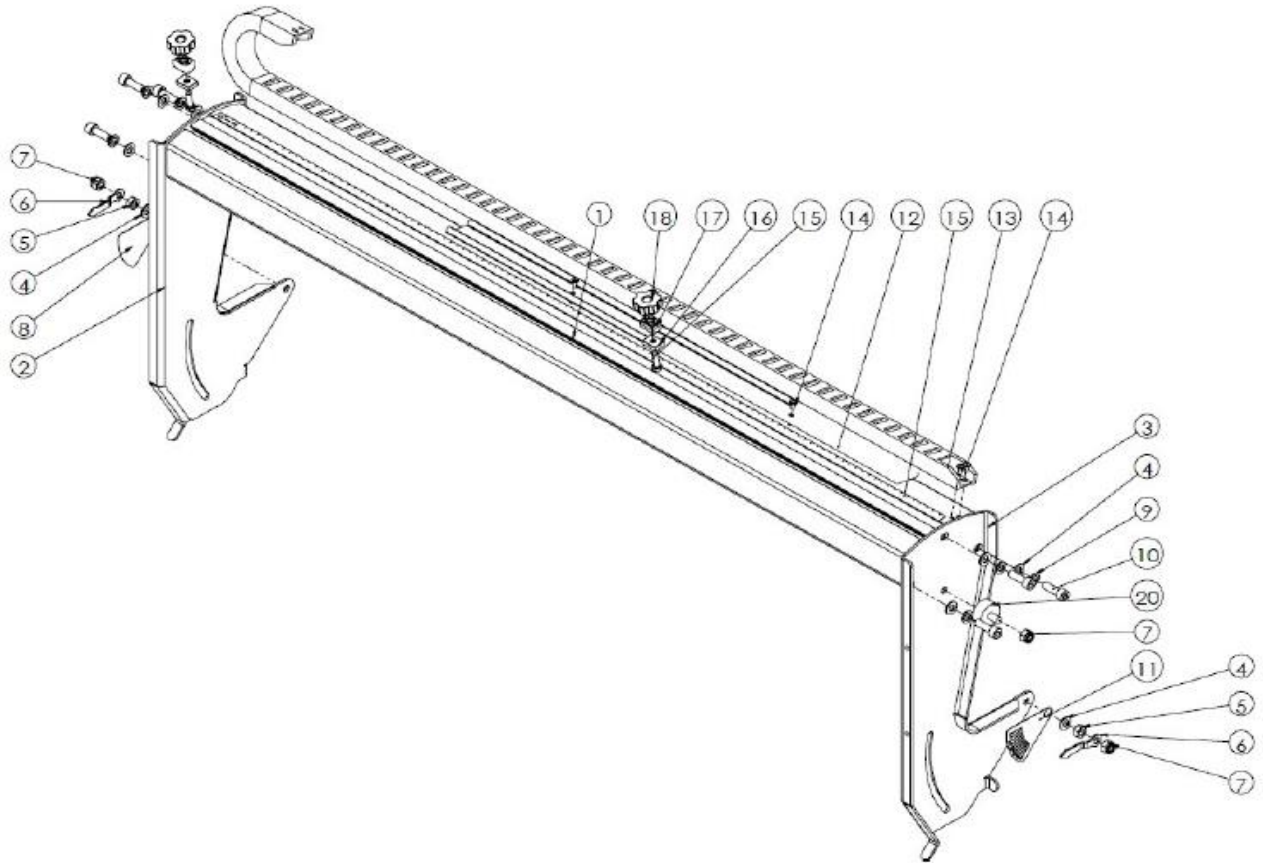
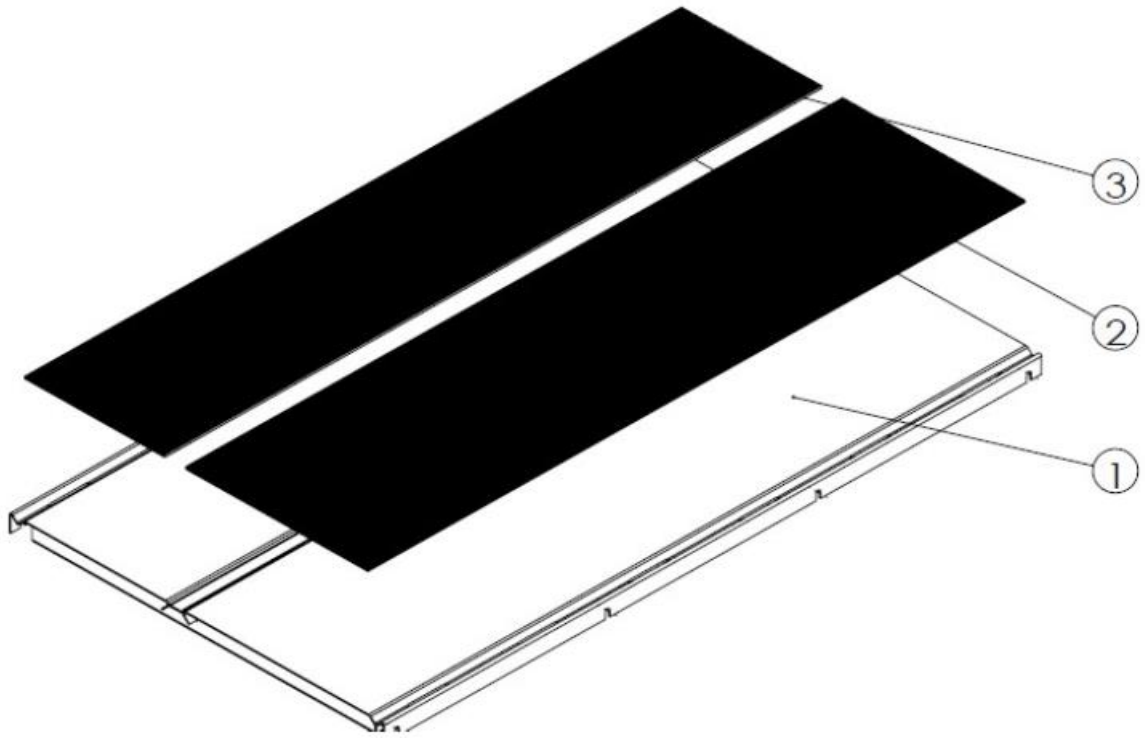


Nr.	Omschrijving	Artikelnummer	Nr.	Omschrijving	Artikelnummer
1	main frame assembly	XGZCTS000072			
2	leg assembly	XGZCTS000074			
3	cutting table assembly	XGZCTS000075			
4	rail support assembly	XGZCTS000076			
5	mobilizable frame assembly	XGZCTS000065			
6	motor support assembly	XGZCTS000078			
7	blade guard assembly	XGZCTS000073			
8	steel guide-a-cut assembly	XGZCTS000014			



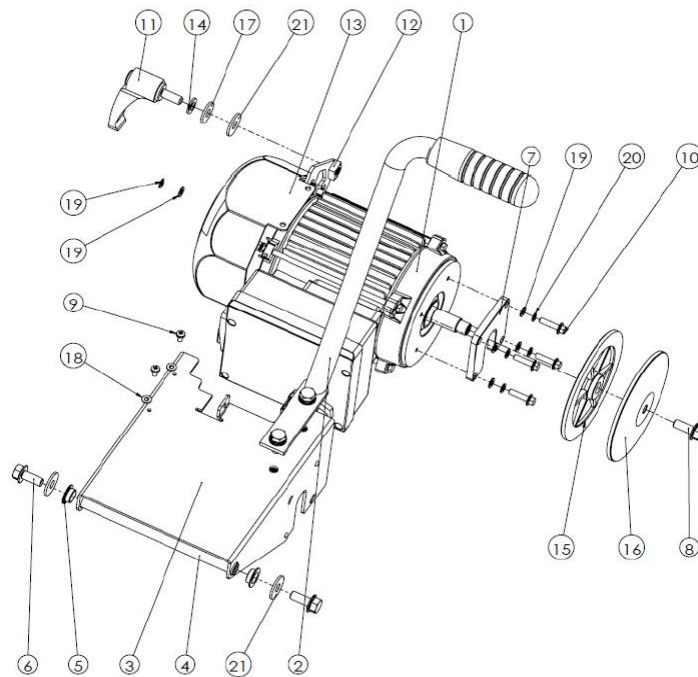
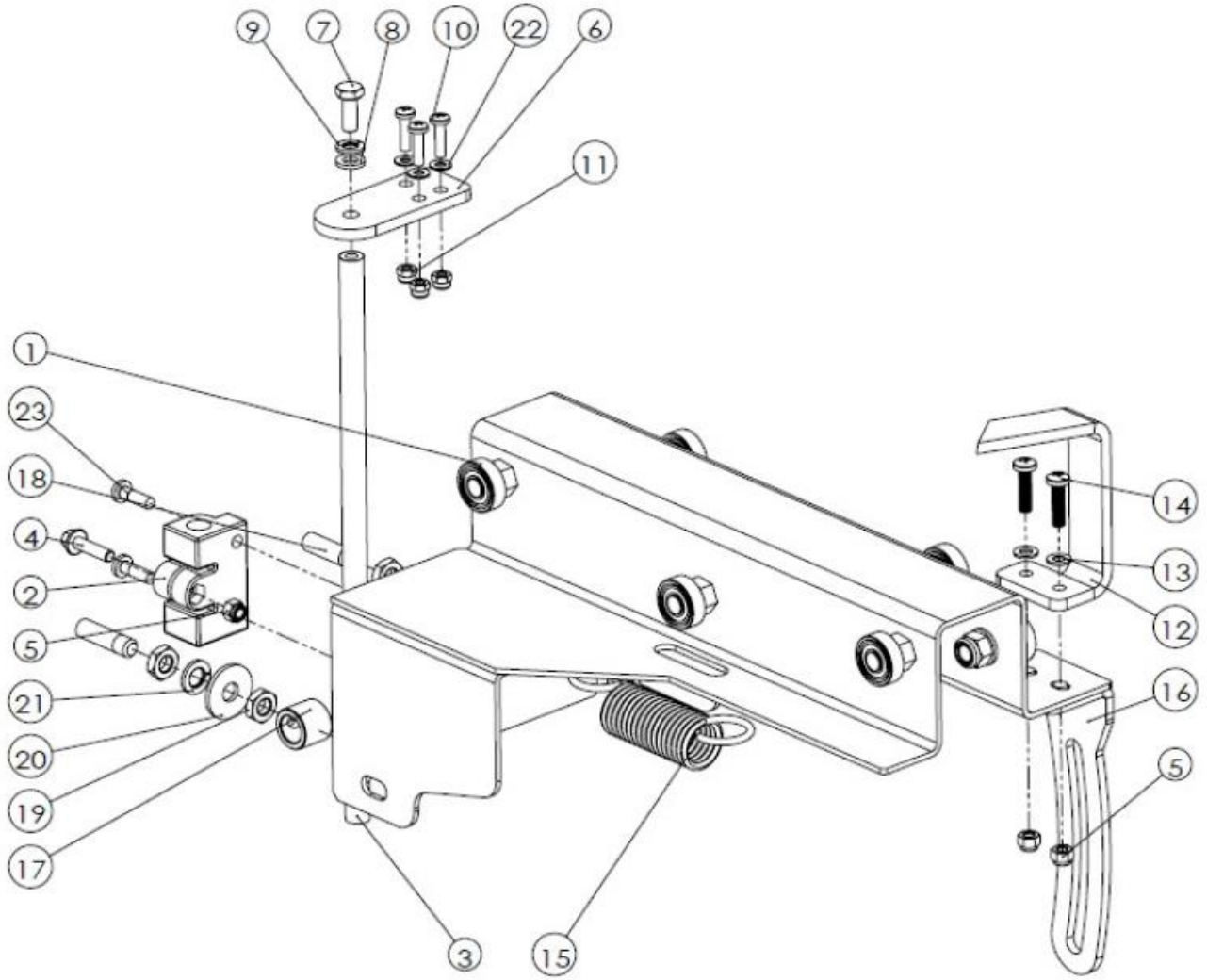
Nr.	Omschrijving	Artikelnummer
1	main frame welded	XGZC04021364
2	plate	XGZC04021345
3	washer ISO 7089- 5 - 140HV	XGZC02030016
4	spring washer DIN127-A5	XGZC02030011
5	hex head screw ISO 4017-M5x12	XGZC02010203
6	star-shaped rotary knob M8x16	XGZC03010058
7	nylon washer ϕ 8	XGZC03010036
8	grip knob star M8x30	XGZC03010053
9	hex locking nut ISO 7040-M8	XGZC02020010
10	ISO4017-M6x20	XGZC02010061
11	hex nut ISO4032-M6	XGZC02020013
12	water pump 8W	XGZC05010037
13	water tube connector	XGZC02070008
14	water plug	XGZC03010021
15	rope connector	XGZC04020164
16	washer ISO7089-4	XGZC02030015
17	self tapping screw ISO7049-ST4.2x16	XGZC02010052
18	rope water tank	XGZC05020001
19	cross pan head screw ISO 7045-M4x1	XGZC02010038
20	nylon lock nut ISO7040-M4	XGZC02020009
21	scale	XGZC04021359
22	scale	XGZC04021360
23	grip knob GN 531-32-M5-16	XGZC03010166
24	sticker CE safety	XGZC06020025

Nr.	Omschrijving	Artikelnummer
1	square tube	XGZC04021346
2	end cap 30x30	XGZC03010022



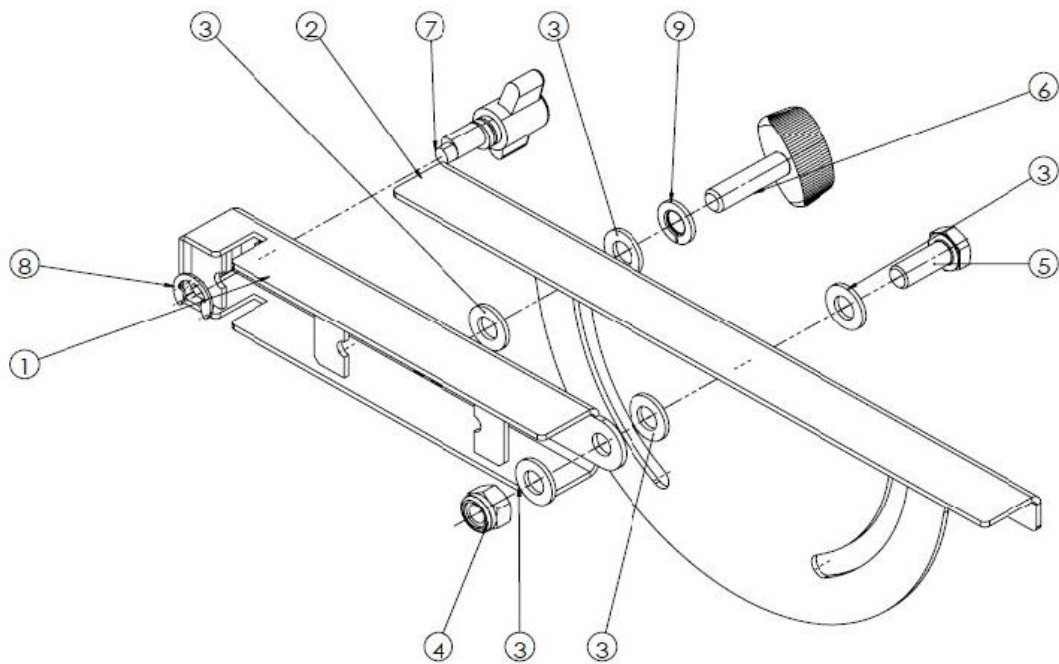
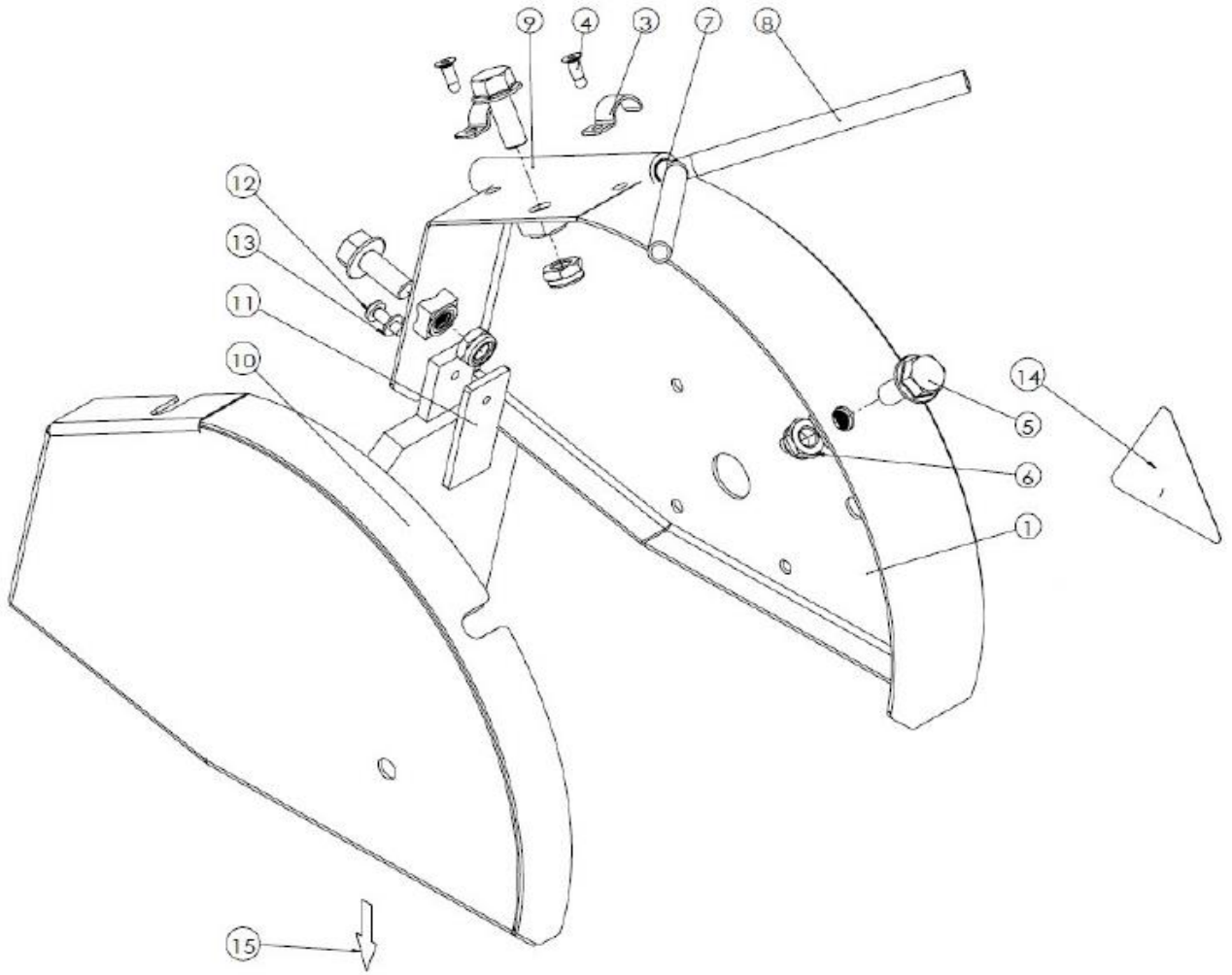
Nr.	Omschrijving	Artikelnummer
1	cutting table welded	XGZC04021365
2	rubber plate	XGZC03020118
3	rubber plate	XGZC03020119

Nr.	Omschrijving	Artikelnummer
1	aluminum rail	XGZC04021352
2	front rail support welded	XGZC04021366
3	rear rail support welded	XGZC04021367
4	washer ISO 7089- 8 - 140HV	XGZC02030017
5	hex nut ISO4032-M8	XGZC02020012
6	scale pointer	XGZC04020277
7	hex locking nut ISO 7040-M8	XGZC02020010
8	angular scale right	XGZC04020771
9	spring washer DIN127-A8	XGZC02030006
10	Hexagon socket head cap screw ISO 4	XGZC02010066
11	angular scale left	XGZC04020770
12	cable protector slot plate	XGZC04020266
13	cable protector	XGZC03010167
14	cross pan hex screw ISO7045-M4x8	XGZC02010065
15	length scale	XGZC06020142
16	sliding piece	XGZC03010038
17	spacer	XGZC03010039
18	rotary knob M6	XGZC03010059
19	ISO4017-M6x20	XGZC02010061
20	vibration absorbing rubber	XGZC03020008



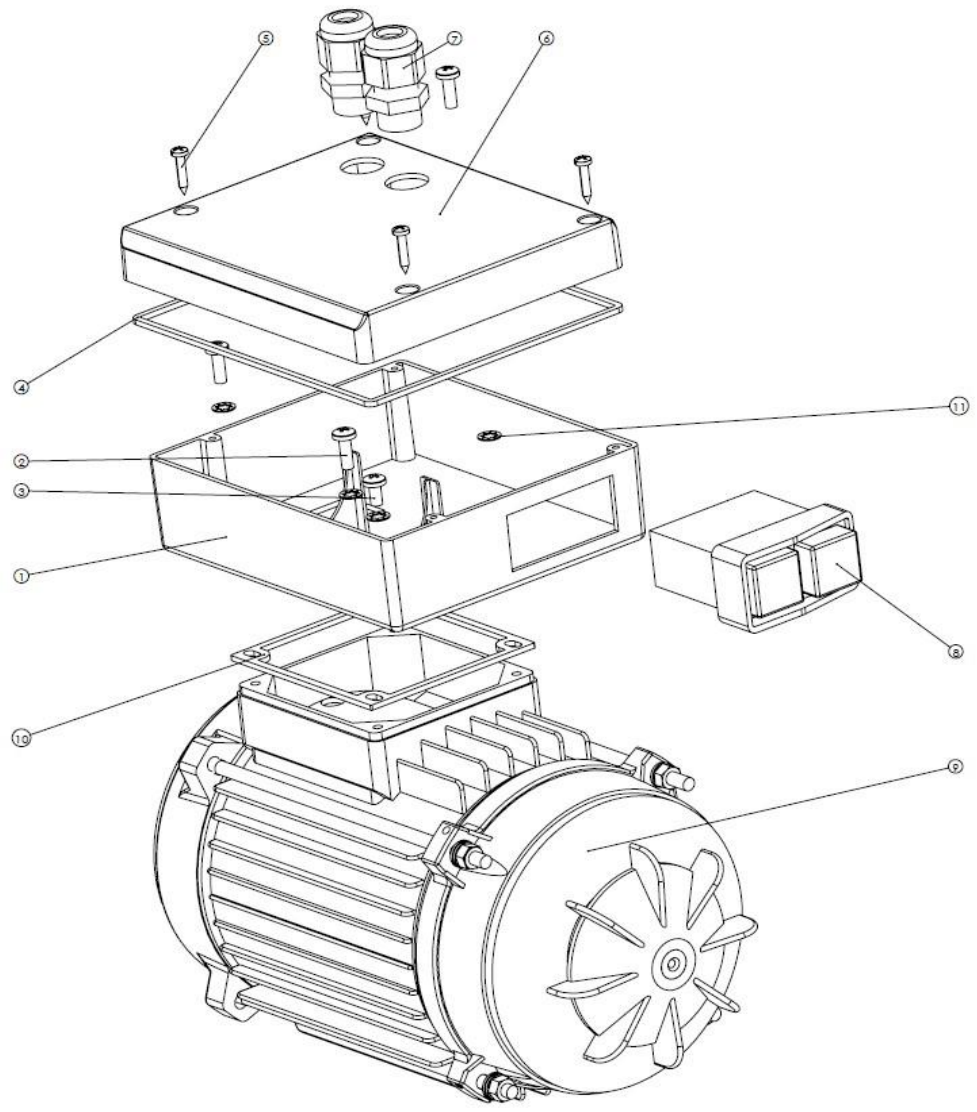
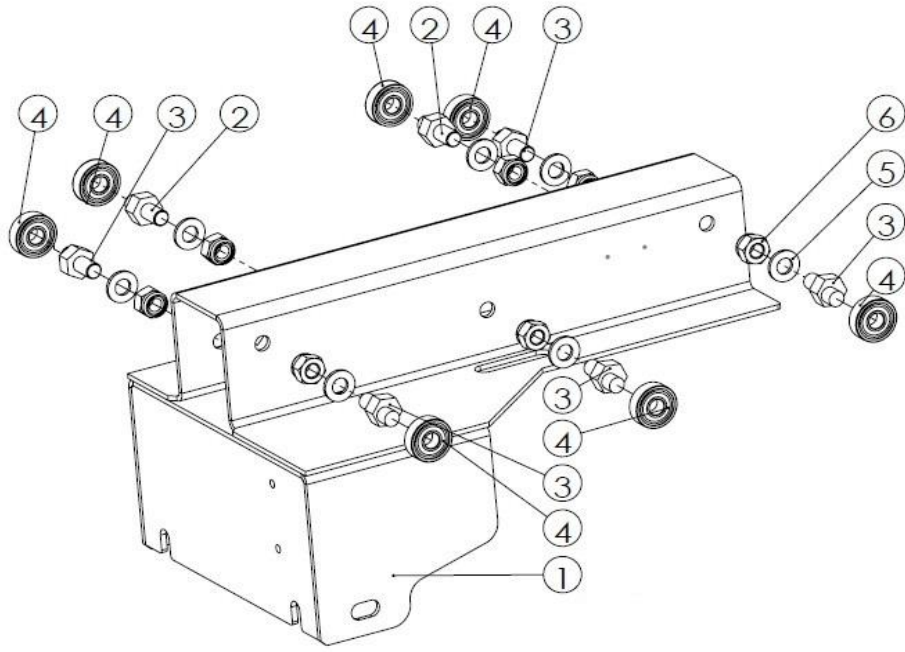
Nr.	Omschrijving	Artikelnummer
1	motor holding rack assembly	XGZCTS000015
2	shaft holding block	XGZC03010042
3	adjustable shaft	XGZC04020263
4	Hex head bolt with flange ISO 4162-M	XGZC02010064
5	nylon locking nut ISO7040-M5	XGZC02020045
6	cable protector fixing plate	XGZC04020262
7	hex head screw ISO 4017-M6x16	XGZC02010105
8	washer ISO7089-6	XGZC02030020
9	gas spring DIN127-A6	XGZC02030019
10	cross pan head screw ISO 7045- M4x	XGZC02010058
11	nylon lock nut ISO7040-M4	XGZC02020009
12	scale	XGZC04020201
13	washer ISO 7089- 5 - 140HV	XGZC02030016
14	cross pan head screw ISO 7045-M5x2	XGZC02010122
15	spring	XGZC02060003
16	limited plate	XGZC04020260
17	limited ring	XGZC04021334
18	Hexagon socket set screw swith flat p	XGZC02010068
19	hex nut ISO 4035-M8	XGZC02020040
20	large washer ISO7093-8	XGZC02030013
21	spring washer DIN127-A8	XGZC02030006
22	washer ISO7089-4	XGZC02030015
23	cross pan head screw ISO 7045- M5x	XGZC02011022

Nr.	Omschrijving	Artikelnummer
1	motor assembly	XGZCTS000013
2	handle assembly	XGZCTS000077
3	motor holding plate welded	XGZC04020258
4	shaft	XGZC04020259
5	sliding bearing GFM-1214-06	XGZC02050005
6	Hexagon flange bolt DIN6921 M8x20	XGZC02010192
7	plastic plate	XGZC03010045
8	Hexagon flange bolt left threaded DIN	XGZC02010083
9	cross pan hex screw ISO7045-M4x8	XGZC02010065
10	Hex head bolt with flange ISO 4162-M	XGZC02010064
11	Adjustable handle GN602-78-M8-20	XGZC03010041
12	cutting depth fixing plate welded	XGZC04021361
13	fan cover C03010044	XGZC03010044
14	washer ISO 7089- 8 - 140HV	XGZC02030017
15	inner flange	XGZC04021335
16	outer flange	XGZC04021336
17	nylon washer ϕ 8	XGZC03010036
18	washer ISO7089-4	XGZC02030015
19	washer ISO 7089- 5 - 140HV	XGZC02030016
20	spring washer DIN127-A5	XGZC02030011
21	large washer ISO7093-8	XGZC02030013



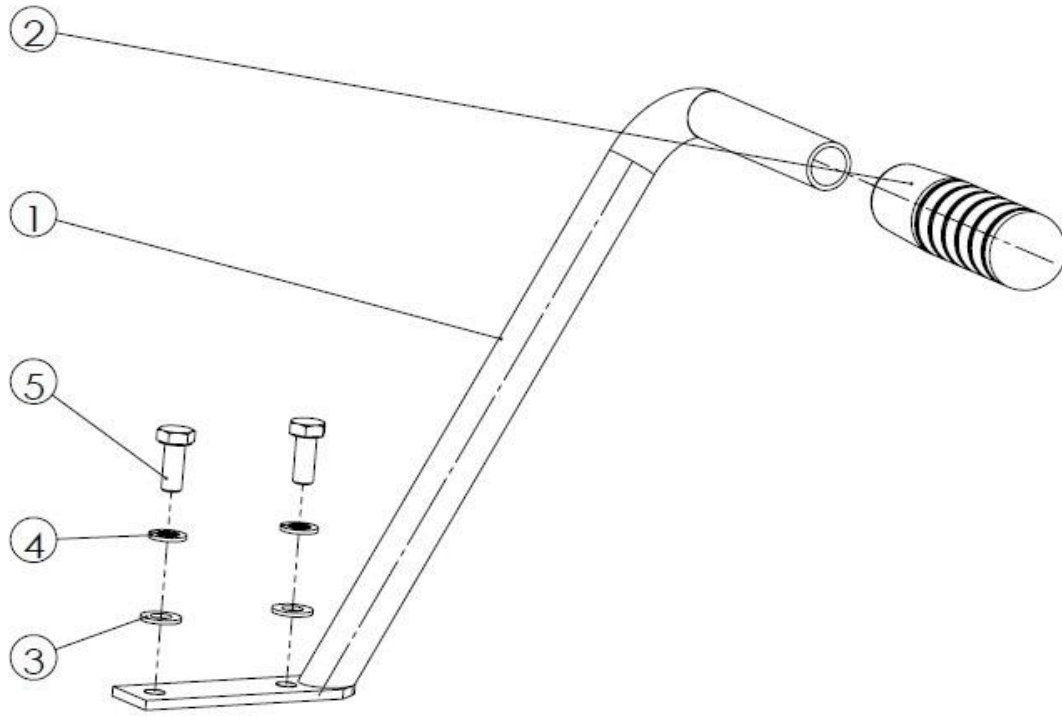
Nr.	Omschrijving	Artikelnummer
1	rear cover welded	XGZC04021362
2	front cover welded	XGZC04021363
3	hose clamp	XGZC04020244
4	Rivet DIN 7337-d4x8	XGZC02010193
5	Hexagon flange bolt DIN6921 M8x20	XGZC02010192
6	hexagon nylon thin nuts ISO 10511 -M	XGZC02020056
7	Y distributor plastic	XGZC02070004
8	water hose $\Phi 6$	XGZC03010070
9	water hose $\phi 8 \times \phi 13$	XGZC03010067
10	splash guard	XGZC03020117
11	plate	XGZC04021337
12	cross pan head screw ISO 7045-M4x1	XGZC02010038
13	washer ISO7089-4	XGZC02030015
14	safety sticker	XGZC06020022
15	sticker white arrow	XGZC06020026

Nr.	Omschrijving	Artikelnummer
1	guide-a-cut base welded	XGZC04020336
2	cutting guide	XGZC04020337
3	washer ISO 7089- 8 - 140HV	XGZC02030017
4	hex locking nut ISO 7040-M8	XGZC02020010
5	hex head screw ISO 4017 - M8x20	XGZC02010043
6	grip knob GN 531-32-M8-30	XGZC03010029
7	eccentric knob	XGZC03010054
8	retainer DIN6799-8	XGZC02030025
9	spring washer DIN127-A8	XGZC02030006



Nr.	Omschrijving	Artikelnummer
1	motor holding rack welded	XGZC04020249
2	concentric screw	XGZC02010084
3	eccentric screw	XGZC04020268
4	ball bearing DIN625 SKF 608-2RS1	XGZC02050002
5	washer ISO 7089- 8 - 140HV	XGZC02030017
6	hex locking nut ISO 7040-M8	XGZC02020010

Nr.	Omschrijving	Artikelnummer
1	motor 230V 1.3KW	XGZC05010010
2	capacitor cassette	XGZC03010055
3	switch	XGZC05010011
4	cross pan head screw ISO 7045-M4x1	XGZC02010038
5	cross pan hex screw ISO7045-M4x8	XGZC02010065
6	sealing ring1	XGZC03020016
7	capacitor cassette cover	XGZC03010056
8	cord grip PG9	XGZC03010057
9	self-tapping cross recessed screw 704	XGZC02010109
10	sealing ring2	XGZC03020017
11	toothed lock washer DIN 6797 JJ 4.3	XGZC02030029



Nr.	Omschrijving	Artikelnummer	Nr.	Omschrijving	Artikelnummer
1	hand shank	XGZC04020261			
2	plastic handle ø20	XGZC03010018			
3	washer ISO 7089- 8 - 140HV	XGZC02030017			
4	spring washer DIN127-A8	XGZC02030006			
5	hex head screw ISO 4017 - M8x20	XGZC02010043			